

# SS - STAINLESS STEEL

SUBMERSIBLE PUMPS

60Hz







### TECHNICAL DATA

**Performance range:** : flow up to 75 m<sup>3</sup>/h and max head of 670 m

**Max. quantity of sand/silt:** 50 g/m<sup>3</sup>

**TMax. ambient temperature:** 30°C (50°C available on request)

**Outlet connection diameter (inside threaded):**

- SS6 A / SS6 B: 2 ½"

- SS6 C: 3"

- SS6 D – SS6 E: 4"

**Nr of starts:** refer to the motor specification

**Motor Cooling flow:** refer to the motor specification

**Installation:** horizontal or vertical, refer to the motor specification

### APPLICATIONS

Multistage mixed-flow borehole electric pumps, completely made in stainless steel (AISI 304L or AISI 316 on request), usable for wells from a minimum diameter equal to pump size or greater and capable of developing a wide range of Flows and Heads.

These pumps can be used in a wide range of lifting, distributing, and pressuring application: domestic and general water supply; sprinkler and drip irrigations systems; fire-fighting installations; lowering of groundwater level; industrial supplies as mining, hot springs, autoclaves and tanks.

These pumps are suitable both for standard water and for aggressive water applications by choosing the proper manufacturing material (AISI 304L or AISI 316) both for hydraulic part and motor.

Special version of motors with PE2+PA windings can be used on request for high-temperature water applications up to maximum 50°C.

Pumps can be installed both vertically and horizontally simply by removing the non-return valve and adding a cooling sleeve to the suction case (the only remark is to check the motor applicability to horizontal operations, refer to the motor specifications section).

### CONSTRUCTION FEATURES OF PUMP

Mixed flow pumps with diffusers, impellers, brackets, suction case and discharge case completely made of stainless steel AISI 304 in order to provide maximum strength, durability, wear and tear resistance.

The impellers are balanced and locked to the shaft with a specially shaped collet and nut coupling, in order to guarantee ease-to-assembly feature and avoid vibration sensitive malfunctions and noise increase during rotation.

Rubber bearings that drive the shaft are water lubricated and have sand channels to make enable the sand particles leave the pump with the pumped liquid (maximum permissible sand content 50 gr/m<sup>3</sup>).

Built-in non returned valve provided in order to minimize local friction losses.

Stainless steel strainer provided in order to prevent particles over a certain size from entering the pump.

Coupling with 6", 8" or 10" motor depending on the power requested by hydraulic part:

- 4GG: 4" canned submersible motor
- 4OL: 4" oil filled submersible motor
- 6GF: 6" canned submersible motor
- TR6: 6" rewindable submersible motor
- TR8: 8" rewindable submersible motor
- TR10: 10" rewindable submersible motor

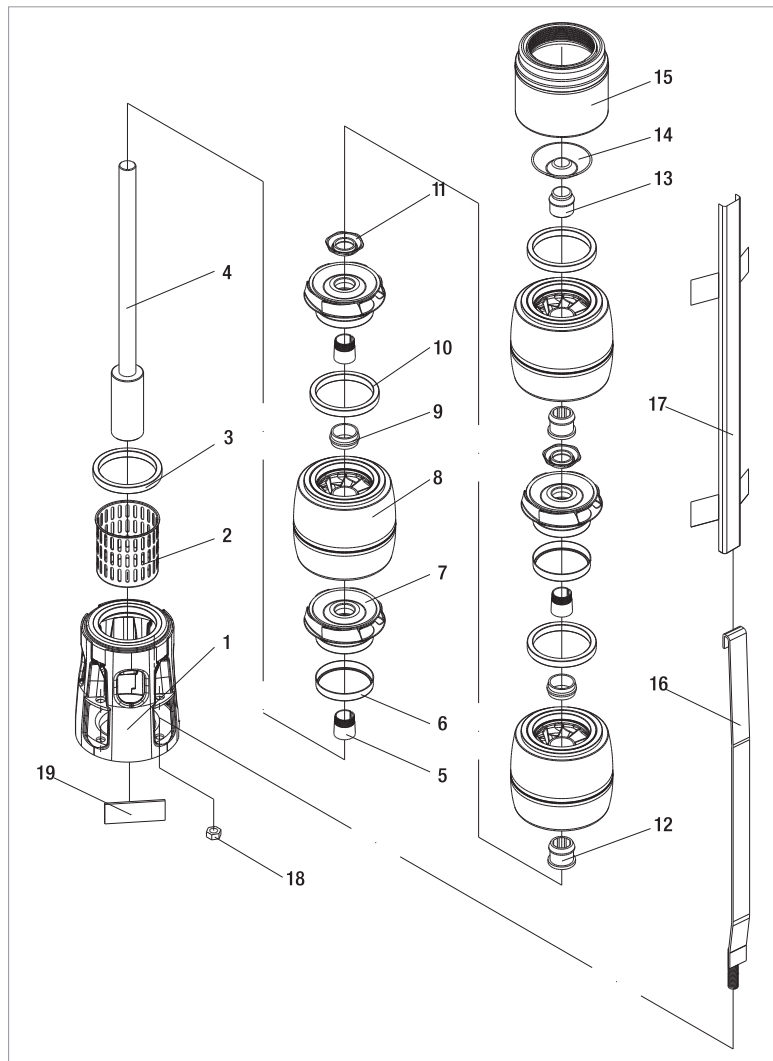
For inverter application refer to the detailed motor specification.

### ON REQUEST:

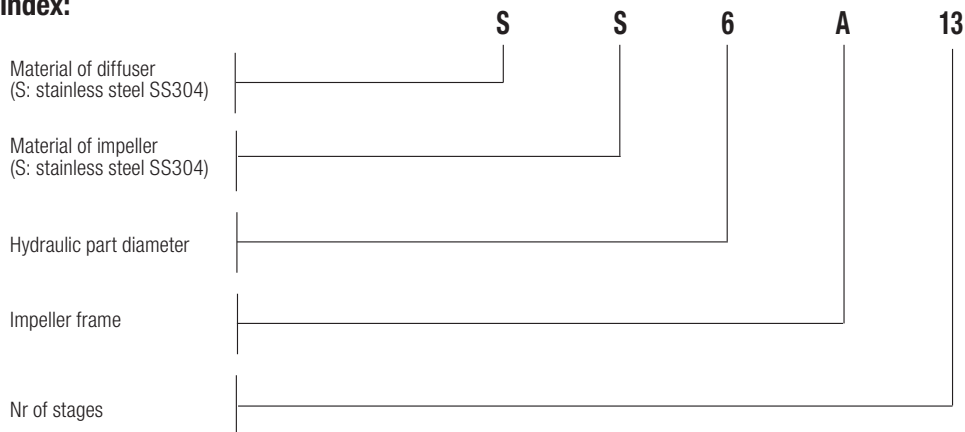
- Pump body stainless steel AISI 316 for aggressive water application
- Impellers stainless steel AISI 316
- Motors in full stainless steel AISI 316 for aggressive water application
- Star/Delta starting version
- Special version of the motor for high temperature application
- Non-standard power coupling

### MATERIALS

N°	PART NAME	MATERIAL
1	Suction Case	Stainless Steel (AISI 304L)
2	Filter	Stainless Steel (AISI 304L)
3	Suction Case Wear Ring	Bronze (ASTM B145-4A)
4	Pump Shaft	Stainless Steel (AISI 420)
5	Collet	Stainless Steel
6	Impeller Wear Ring	STAINLESS STEEL (AISI 304)
7	Impeller	Stainless Steel (AISI 304L)
8	Diffuser	Stainless Steel (AISI 304L)
9	Rubber Bearing	Rubber
10	Diffuser Wear Ring	Rubber
11	Nut for Stop Ring	Stainless Steel (AISI 304L)
12	Bearing	Rubber
13	Shaft Stopper	Bronze (ASTM B145-4A)
14	Valve	Stainless Steel (AISI 304)
15	Discharge Case	Stainless Steel (AISI 304)
16	TIE ROD	STAINLESS STEEL (AISI 304L)
17	CABLE GUARD	STAINLESS STEEL (AISI 304)
18	TIR ROD NUT	STAINLESS STEEL (AISI 303)
19	NAME PLATE	STAINLESS STEEL (AISI 304)



**- Denomination index:**  
(EXAMPLE)



### PERFORMANCE 60 Hz - 2 POLES

MODEL	ELECTRICAL DATA		HYDRAULIC DATA											STANDARD MOTOR COUPLING
	P2 NOMINAL		Q=m³h	0	4	6	8	10	12	14	16	18	21	
	kW	HP	Q=l/sec	0	1,1	1,7	2,2	2,8	3,3	3,9	4,4	5,0	5,8	
SS66A 05	4	5,5	H (m)	67	67	66	65	62	58	54	48	41	29	4"
SS66A 06	4	5,5		81	81	80	77	74	70	65	58	50	35	4"
SS66A 07	4	5,5		94	94	93	90	87	82	75	67	58	41	4"
SS66A 08	5,5	7,5		107	108	106	103	99	93	86	77	66	47	6"
SS66A 09	5,5	7,5		121	121	119	116	112	105	97	87	75	53	6"
SS66A 10	5,5	7,5		134	134	133	129	124	117	108	96	83	59	6"
SS66A 11	7,5	10		148	148	146	142	136	128	118	106	91	65	6"
SS66A 12	7,5	10		161	161	159	155	149	140	129	115	99	71	6"
SS66A 13	7,5	10		175	175	172	168	161	152	140	125	108	77	6"
SS66A 14	11	15		188	188	186	181	173	163	151	135	116	82	6"
SS66A 15	11	15		201	202	199	194	186	175	161	144	124	88	6"
SS66A 16	11	15		215	215	212	207	198	187	172	154	133	94	6"
SS66A 17	11	15		228	228	225	220	211	198	183	164	141	100	6"
SS66A 18	11	15		242	242	239	232	223	210	194	173	149	106	6"
SS66A 19	11	15		255	255	252	245	235	222	204	183	157	112	6"
SS66A 20	11	15		269	269	265	258	248	234	215	192	166	118	6"
SS66A 21	15	20		282	282	278	271	260	245	226	202	174	124	6"
SS66A 22	15	20		295	296	292	284	273	257	237	212	182	129	6"
SS66A 23	15	20		309	309	305	297	285	269	247	221	190	135	6"
SS66A 24	15	20		322	323	318	310	297	280	258	231	199	141	6"
SS66A 25	15	20		336	336	331	323	310	292	269	241	207	147	6"
SS66A 26	15	20		349	349	345	336	322	304	280	250	215	153	6"
SS66A 27	15	20		363	363	358	349	335	315	290	260	224	159	6"
SS66A 28	18,5	25		376	376	371	362	347	327	301	269	232	165	6"
SS66A 29	18,5	25		389	390	384	374	359	339	312	279	240	171	6"

**ELECTRICAL DATA AND DIMENSIONS**

MODEL	MOTOR *	ELECTRICAL DATA				HORIZONTAL INSTALLATION	L2 mm	L mm	L1 mm	D mm	D1 mm	TOTAL WEIGHT Kg
		P2 NOMINAL		In A	OPERATING BY INVERTER							
		kW	HP									
SS66A 05	6GF	4	5,5	9,5	●	●	1172	600	572	141	132	50,4
SS66A 06	6GF	4	5,5	9,5	●	●	1232	600	632	141	132	52,4
SS66A 07	6GF	4	5,5	9,5	●	●	1293	600	693	141	132	53,4
SS66A 08	6GF	5,5	7,5	13,3	●	●	1384	631	753	141	132	57,6
SS66A 09	6GF	5,5	7,5	13,3	●	●	1445	631	814	141	132	59,6
SS66A 10	6GF	5,5	7,5	13,3	●	●	1505	631	874	141	132	60,6
SS66A 11	6GF	7,5	10	16,5	●	●	1595	660	935	141	132	65,2
SS66A 12	6GF	7,5	10	16,5	●	●	1655	660	995	141	132	66,2
SS66A 13	6GF	7,5	10	16,5	●	●	1716	660	1056	141	132	68,2
SS66A 14	6GF	11	15	23,3	●	●	1846	730	1116	141	132	77
SS66A 15	6GF	11	15	23,3	●	●	1907	730	1177	141	132	79
SS66A 16	6GF	11	15	23,3	●	●	1967	730	1237	141	132	80
SS66A 17	6GF	11	15	23,3	●	●	2028	730	1298	141	132	81
SS66A 18	6GF	11	15	23,3	●	●	2088	730	1358	141	132	83
SS66A 19	6GF	11	15	23,3	●	●	2149	730	1419	141	132	84
SS66A 20	6GF	11	15	23,3	●	●	2209	730	1479	141	132	86
SS66A 21	6GF	15	20	30,8	●	●	2325	785	1540	141	132	93
SS66A 22	6GF	15	20	30,8	●	●	2385	785	1600	141	132	95
SS66A 23	6GF	15	20	30,8	●	●	2446	785	1661	141	132	96
SS66A 24	6GF	15	20	30,8	●	●	2506	785	1721	141	132	98
SS66A 25	6GF	15	20	30,8	●	●	2567	785	1782	141	132	99
SS66A 26	6GF	15	20	30,8	●	●	2627	785	1842	141	132	100
SS66A 27	6GF	15	20	30,8	●	●	2688	785	1903	141	132	102
SS66A 28	6GF	18,5	25	40	●	●	2823	860	1963	141	132	111
SS66A 29	6GF	18,5	25	40	●	●	2884	860	2024	141	132	113

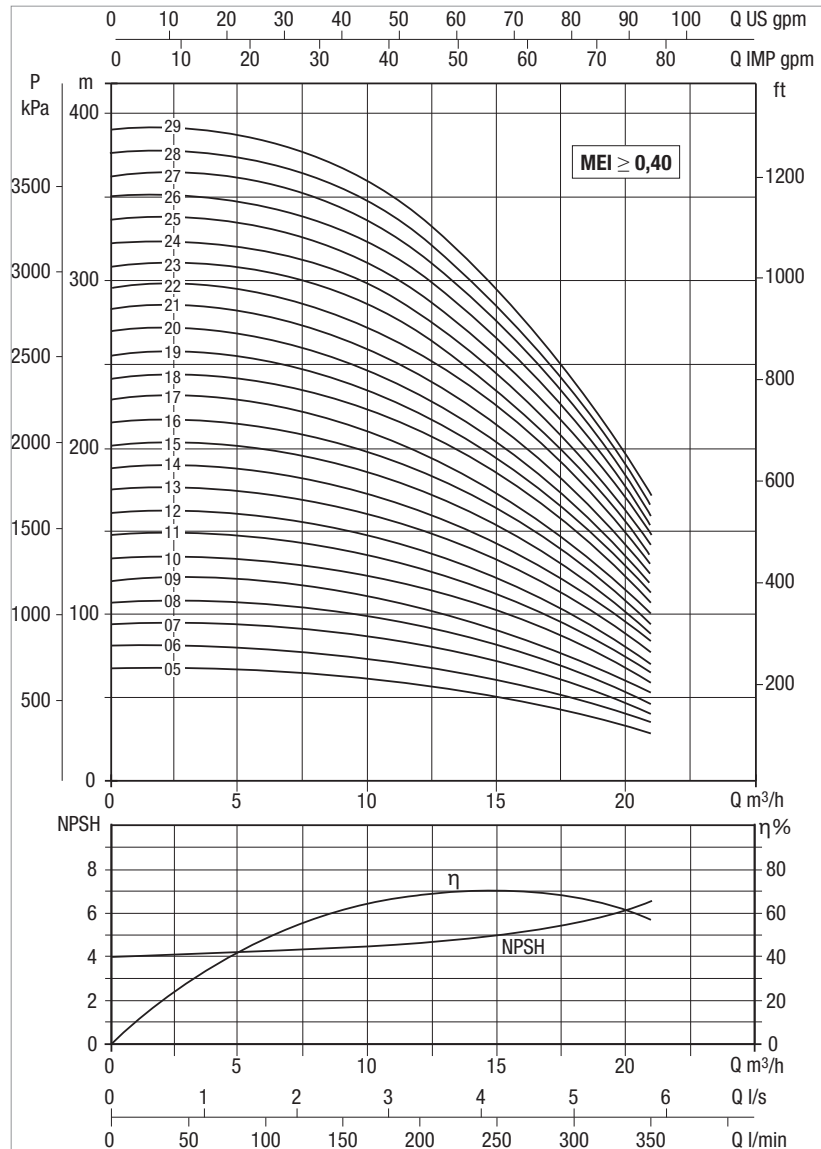
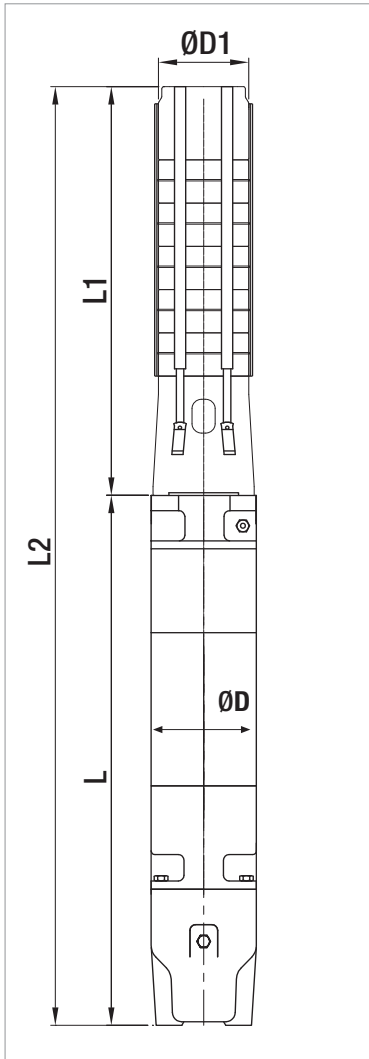
Motor 6GF: 6" canned submersible motors.

●	Allowed
○	Only PE2 + PA version

# SS66A

## SUBMERSIBLE ELECTRIC PUMPS 6"

The performance curves are based on the kinematic viscosity values = 1 mm<sup>2</sup>/s and density equal to 1000 Kg/m<sup>3</sup>. Curve tolerance according to ISO 9906.



**PERFORMANCE 60 Hz - 2 POLES**

MODEL	ELECTRICAL DATA		HYDRAULIC DATA										STANDARD MOTOR COUPLING	
	P2 NOMINAL		Q=m <sup>3</sup> h	0	4	6	8	10	12	14	16	18		21
	kW	HP	Q=l/min	0	1,1	1,7	2,2	2,8	3,3	3,9	4,4	5,0		5,8
SS66A 30	18,5	25	H (m)	403	403	398	387	372	350	323	289	248	177	6"
SS66A 31	18,5	25		416	417	411	400	384	362	333	298	257	182	6"
SS66A 32	18,5	25		430	430	424	413	397	374	344	308	265	188	6"
SS66A 33	18,5	25		443	443	437	426	409	385	355	318	273	194	6"
SS66A 34	18,5	25		457	457	451	439	421	397	366	327	282	200	6"
SS66A 35	22	30		470	470	464	452	434	409	376	337	290	206	6"
SS66A36	22	30		484	484	477	465	446	420	387	346	298	212	6"
SS66A 37	22	30		497	497	490	478	458	432	398	356	306	218	6"
SS66A 38	22	30		510	511	504	491	471	444	409	366	315	224	6"
SS66A 39	22	30		524	524	517	504	483	455	419	375	323	230	6"
SS66A 40	22	30		537	538	530	517	496	467	430	385	331	235	6"
SS66A 41	22	30		551	551	543	529	508	479	441	395	340	241	6"
SS66A 42	30	40		564	564	557	542	520	490	452	404	348	247	6"
SS66A 43	30	40		578	578	570	555	533	502	462	414	356	253	6"
SS66A 44	30	40		591	591	583	568	545	514	473	423	364	259	6"
SS66A 45	30	40		604	605	596	581	558	525	484	433	373	265	6"
SS66A 46	30	40		618	618	610	594	570	537	495	443	381	271	6"
SS66A 47	30	40		631	632	623	607	582	549	505	452	389	277	6"
SS66A 48	30	40		645	645	636	620	595	560	516	462	398	282	6"
SS66A 49	30	40		658	658	650	633	607	572	527	472	406	288	6"
SS66A 50	30	40		672	672	663	646	620	584	538	481	414	294	6"
SS66A 51	30	40		685	685	676	659	632	595	548	491	422	300	6"
SS66A 52	30	40		698	699	689	671	644	607	559	500	431	306	6"
SS66A 53	30	40		712	712	703	684	657	619	570	510	439	312	6"
SS66A 54	30	40		725	726	716	697	669	630	581	520	447	318	6"
SS66A 55	30	40	739	739	729	710	682	642	592	529	455	324	6"	



### ELECTRICAL DATA AND DIMENSIONS

MODEL	MOTOR *	ELECTRICAL DATA			OPERATING BY INVERTER	HORIZONTAL INSTALLATION	L2 mm	L mm	L1 mm	D mm	D1 mm	TOTAL WEIGHT Kg
		P2 NOMINAL		In A								
		kW	HP									
SS66A 30	6GF	18,5	25	40	●	●	3194	860	2334	141	167	142
SS66A 31	6GF	18,5	25	40	●	●	3255	860	2395	141	167	143
SS66A 32	6GF	18,5	25	40	●	●	3315	860	2455	141	167	145
SS66A 33	6GF	18,5	25	40	●	●	3376	860	2516	141	167	147
SS66A 34	6GF	18,5	25	40	●	●	3436	860	2576	141	167	149
SS66A 35	6GF	22	30	49,8	●	●	3557	920	2637	141	167	153,6
SS66A 36	6GF	22	30	49,8	●	●	3617	920	2697	141	167	155,6
SS66A 37	6GF	22	30	49,8	●	●	3678	920	2758	141	167	157,6
SS66A 38	6GF	22	30	49,8	●	●	3738	920	2818	141	167	159,6
SS66A 39	6GF	22	30	49,8	●	●	3799	920	2879	141	167	161,6
SS66A 40	6GF	22	30	49,8	●	●	3859	920	2939	141	167	162,6
SS66A 41	6GF	22	30	49,8	●	●	3920	920	3000	141	167	164,6
SS66A 42	6GF	30	40	62	●	●	4110	1050	3060	141	167	182,8
SS66A 43	6GF	30	40	62	●	●	4171	1050	3121	141	167	184,8
SS66A 44	6GF	30	40	62	●	●	4231	1050	3181	141	167	186,8
SS66A 45	6GF	30	40	62	●	●	4292	1050	3242	141	167	187,8
SS66A 46	6GF	30	40	62	●	●	4352	1050	3302	141	167	189,8
SS66A 47	6GF	30	40	62	●	●	4413	1050	3363	141	167	191,8
SS66A 48	6GF	30	40	62	●	●	4473	1050	3423	141	167	193,8
SS66A 49	6GF	30	40	62	●	●	4534	1050	3484	141	167	194,8
SS66A 50	6GF	30	40	62	●	●	4594	1050	3544	141	167	196,8
SS66A 51	6GF	30	40	62	●	●	4655	1050	3605	141	167	198,8
SS66A 52	6GF	30	40	62	●	●	4715	1050	3665	141	167	200,8
SS66A 53	6GF	30	40	62	●	●	4776	1050	3726	141	167	202,8
SS66A 54	6GF	30	40	62	●	●	4836	1050	3786	141	167	203,8
SS66A 55	6GF	30	40	62	●	●	4897	1050	3847	141	167	205,8

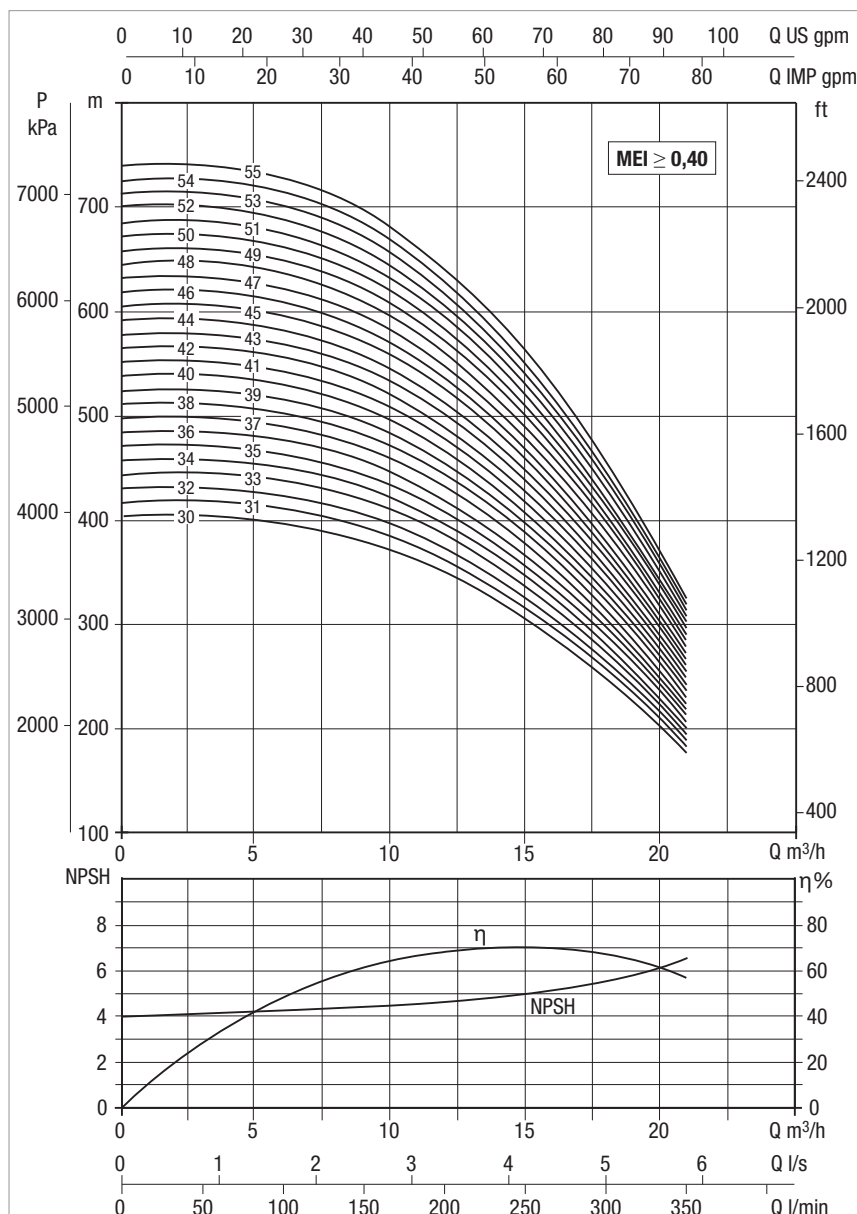
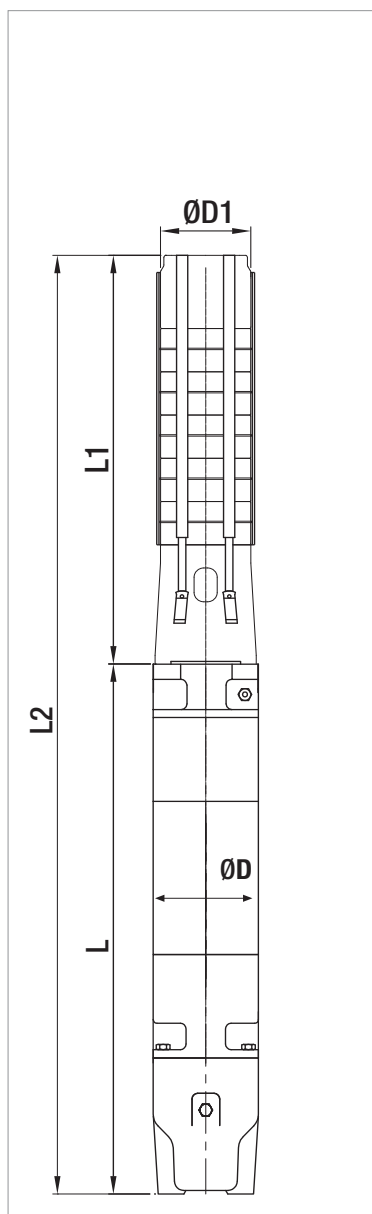
Motor 6GF: 6" canned submersible motors.

●	Allowed
○	Only PE2 + PA version

# SS66A

## SUBMERSIBLE ELECTRIC PUMPS 6"

The performance curves are based on the kinematic viscosity values = 1 mm<sup>2</sup>/s and density equal to 1000 Kg/m<sup>3</sup>. Curve tolerance according to ISO 9906.



### PERFORMANCE 60 Hz - 2 POLES

MODEL	ELECTRICAL DATA		HYDRAULIC DATA											STANDARD MOTOR COUPLING
	P2 NOMINAL		Q=m³h	0	9	11	13	15	17	19	21	23	25	
	kW	HP	Q=l/min	0	2,5	3,1	3,6	4,2	4,7	5,3	5,8	6,4	6,9	
SS66B 04	4	5,5	H (m)	65	63	61	59	57	53	49	45	40	34	4"
SS66B 05	5,5	7,5		81	79	77	74	71	67	62	56	50	43	4"
SS66B 06	5,5	7,5		98	94	92	89	85	80	74	67	60	52	6"
SS66B 07	7,5	10		114	110	107	104	99	93	86	79	70	60	6"
SS66B 08	7,5	10		130	126	123	118	113	107	99	90	80	69	6"
SS66B 09	7,5	10		146	141	138	133	127	120	111	101	90	78	6"
SS66B 10	9,2	12,5		163	157	153	148	141	133	124	112	100	86	6"
SS66B 11	9,2	12,5		179	173	169	163	156	147	136	124	110	95	6"
SS66B 12	11	15		195	188	184	178	170	160	148	135	120	103	6"
SS66B 13	11	15		211	204	199	193	184	173	161	146	130	112	6"
SS66B 14	15	20		228	220	215	207	198	187	173	157	140	121	6"
SS66B 15	15	20		244	236	230	222	212	200	185	169	150	129	6"
SS66B 16	15	20		260	251	245	237	226	213	198	180	160	138	6"
SS66B 17	15	20		276	267	261	252	241	227	210	191	170	146	6"
SS66B 18	15	20		293	283	276	267	255	240	222	202	180	155	6"
SS66B 19	18,5	25		309	298	291	281	269	253	235	213	190	164	6"
SS66B 20	18,5	25		325	314	307	296	283	267	247	225	200	172	6"
SS66B 21	18,5	25		341	330	322	311	297	280	259	236	210	181	6"
SS66B 22	18,5	25		358	345	337	326	311	293	272	247	220	189	6"
SS66B 23	22	30		374	361	352	341	325	307	284	258	230	198	6"
SS66B 24	22	30		390	377	368	355	340	320	297	270	240	207	6"
SS66B 25	22	30		406	393	383	370	354	333	309	281	250	215	6"
SS66B 26	22	30		423	408	398	385	368	347	321	292	260	224	6"

**ELECTRICAL DATA AND DIMENSIONS**

MODEL	MOTOR *	ELECTRICAL DATA			OPERATING BY INVERTER	HORIZONTAL INSTALLATION	L2 mm	L mm	L1 mm	D mm	D1 mm	TOTAL WEIGHT Kg
		P2 NOMINAL		In A								
		kW	HP									
SS66B 04	6GF	4	5,5	9,5	●	●	1111	600	511	141	132	49,4
SS66B 05	6GF	5,5	7,5	13,3	●	●	1203	631	572	141	132	53,6
SS66B 06	6GF	5,5	7,5	13,3	●	●	1263	631	632	141	132	55,6
SS66B 07	6GF	7,5	10	16,5	●	●	1353	660	693	141	132	59,2
SS66B 08	6GF	7,5	10	16,5	●	●	1413	660	753	141	132	61,2
SS66B 09	6GF	7,5	10	16,5	●	●	1474	660	814	141	132	62,2
SS66B 10	6GF	9,2	12,5	20,6	●	●	1559	685	874	141	132	66,6
SS66B 11	6GF	9,2	12,5	20,6	●	●	1620	685	935	141	132	68,6
SS66B 12	6GF	11	15	23,3	●	●	1725	730	995	141	132	74
SS66B 13	6GF	11	15	23,3	●	●	1786	730	1056	141	132	76
SS66B 14	6GF	15	20	30,8	●	●	1901	785	1116	141	132	83
SS66B 15	6GF	15	20	30,8	●	●	1962	785	1177	141	132	85
SS66B 16	6GF	15	20	30,8	●	●	2022	785	1237	141	132	86
SS66B 17	6GF	15	20	30,8	●	●	2083	785	1298	141	132	88
SS66B 18	6GF	15	20	30,8	●	●	2143	785	1358	141	132	89
SS66B 19	6GF	18,5	25	40	●	●	2279	860	1419	141	132	98
SS66B 20	6GF	18,5	25	40	●	●	2339	860	1479	141	132	100
SS66B 21	6GF	18,5	25	40	●	●	2400	860	1540	141	132	101
SS66B 22	6GF	18,5	25	40	●	●	2460	860	1600	141	132	103
SS66B 23	6GF	22	30	49,8	●	●	2581	920	1661	141	132	107,6
SS66B 24	6GF	22	30	49,8	●	●	2641	920	1721	141	132	109,6
SS66B 25	6GF	22	30	49,8	●	●	2702	920	1782	141	132	110,6
SS66B 26	6GF	22	30	49,8	●	●	2762	920	1842	141	132	112,6

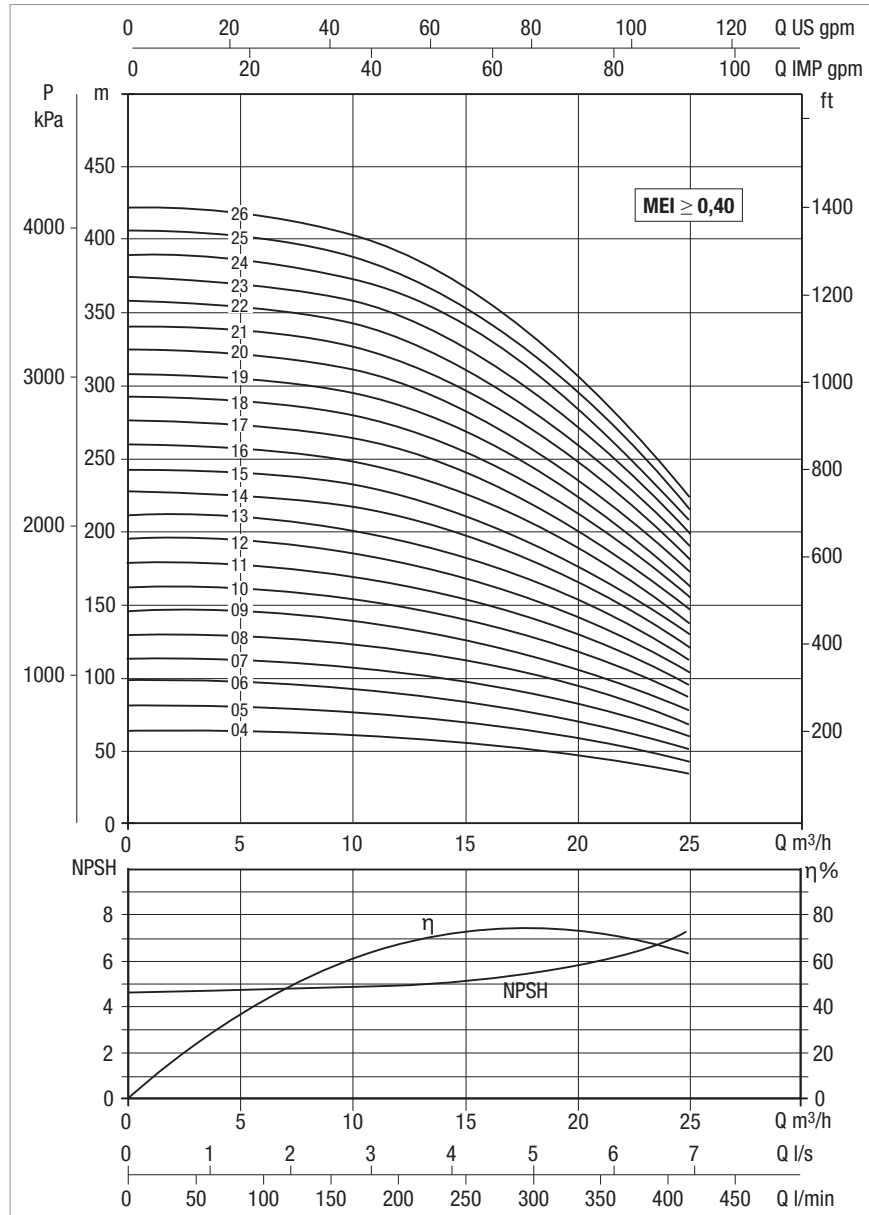
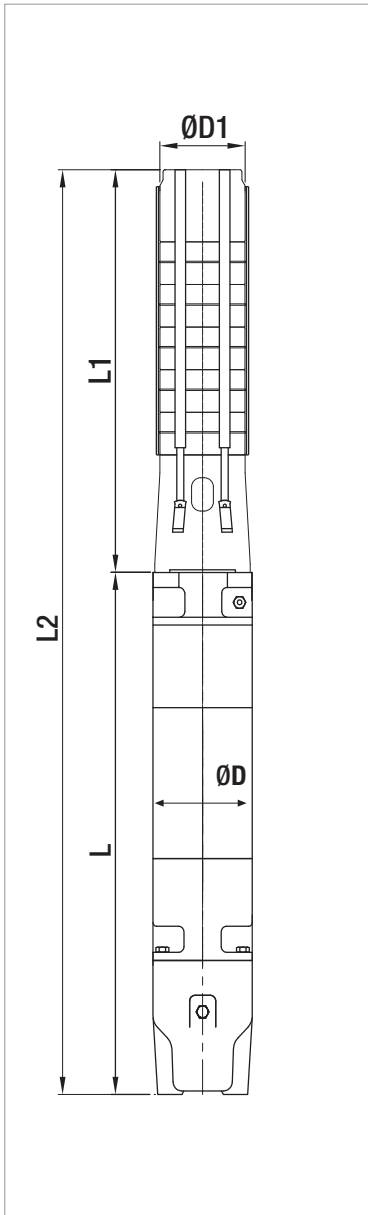
Motor 6GF: 6" canned submersible motors.

●	Allowed
○	Only PE2 + PA version

# SS66B

## SUBMERSIBLE ELECTRIC PUMPS 6"

The performance curves are based on the kinematic viscosity values = 1 mm<sup>2</sup>/s and density equal to 1000 Kg/m<sup>3</sup>. Curve tolerance according to ISO 9906.



**PERFORMANCE 60 Hz - 2 POLES**

MODEL	ELECTRICAL DATA		Q=m <sup>3</sup> h Q=l/min	HYDRAULIC DATA										STANDARD MOTOR COUPLING
	P2 NOMINAL			0	9	11	13	15	17	19	21	23	25	
	kW	HP		0	2,5	3,1	3,6	4,2	4,7	5,3	5,8	6,4	6,9	
SS66B 27	30	40	H (mt)	439	424	414	400	382	360	334	303	270	233	6"
SS66B 28	30	40		455	440	429	415	396	373	346	315	280	241	6"
SS66B 29	30	40		471	455	444	430	410	387	358	326	289	250	6"
SS66B 30	30	40		488	471	460	444	424	400	371	337	299	258	6"
SS66B 31	30	40		504	487	475	459	439	413	383	348	309	267	6"
SS66B 32	30	40		520	502	490	474	453	427	395	360	319	276	6"
SS66B 33	30	40		536	518	506	489	467	440	408	371	329	284	6"
SS66B 34	30	40		553	534	521	504	481	453	420	382	339	293	6"
SS66B 35	30	40		569	550	536	518	495	467	432	393	349	301	6"
SS66B 36	30	40		585	565	552	533	509	480	445	405	359	310	6"
SS66B 37	37	50		601	581	567	548	523	493	457	416	369	319	6"
SS66B 38	37	50		618	597	582	563	538	506	470	427	379	327	6"
SS66B 39	37	50		634	612	598	578	552	520	482	438	389	336	6"
SS66B 40	37	50		650	628	613	592	566	533	494	449	399	345	6"
SS66B 41	37	50		666	644	628	607	580	546	507	461	409	353	6"
SS66B 42	37	50		683	659	644	622	594	560	519	472	419	362	6"
SS66B 43	45	60		699	675	659	637	608	573	531	483	429	370	6"
SS66B 44	45	60		715	691	674	652	622	586	544	494	439	379	6"
SS66B 45	45	60		731	707	690	667	637	600	556	506	449	388	6"
SS66B 46	45	60		748	722	705	681	651	613	568	517	459	396	6"
SS66B 47	45	60	764	738	720	696	665	626	581	528	469	405	6"	
SS66B 48	45	60	780	754	736	711	679	640	593	539	479	413	6"	
SS66B 49	45	60	796	769	751	726	693	653	605	551	489	422	6"	
SS66B 50	45	60	813	785	766	741	707	666	618	562	499	431	6"	

### ELECTRICAL DATA AND DIMENSIONS

MODEL	MOTOR *	ELECTRICAL DATA			OPERATING BY INVERTER	HORIZONTAL INSTALLATION	L2 mm	L mm	L1 mm	D mm	D1 mm	TOTAL WEIGHT Kg
		P2 NOMINAL		In A								
		kW	HP									
SS66B 27	6GF	30	40	62	●	●	2953	1050	1903	141	132	129,8
SS66B 28	6GF	30	40	62	●	●	3013	1050	1963	141	132	131,8
SS66B 29	6GF	30	40	62	●	●	3074	1050	2024	141	132	132,8
SS66B 30	6GF	30	40	62	●	●	3384	1050	2334	141	167	161,8
SS66B 31	6GF	30	40	62	●	●	3445	1050	2395	141	167	163,8
SS66B 32	6GF	30	40	62	●	●	3505	1050	2455	141	167	164,8
SS66B 33	6GF	30	40	62	●	●	3566	1050	2516	141	167	166,8
SS66B 34	6GF	30	40	62	●	●	3626	1050	2576	141	167	168,8
SS66B 35	6GF	30	40	62	●	●	3687	1050	2637	141	167	170,8
SS66B 36	6GF	30	40	62	●	●	3747	1050	2697	141	167	172,8
SS66B 37	6GF	37	50	77	●	●	3938	1180	2758	141	167	185,8
SS66B 38	6GF	37	50	77	●	●	3998	1180	2818	141	167	187,8
SS66B 39	6GF	37	50	77	●	●	4059	1180	2879	141	167	189,8
SS66B 40	6GF	37	50	77	●	●	4119	1180	2939	141	167	191,8
SS66B 41	6GF	37	50	77	●	●	4180	1180	3000	141	167	193,8
SS66B 42	6GF	37	50	77	●	●	4240	1180	3060	141	167	194,8
SS66B 43	TR860	45	60	88	○	●	4391	1270	3121	192	167	275
SS66B 44	TR860	45	60	88	○	●	4451	1270	3181	192	167	277
SS66B 45	TR860	45	60	88	○	●	4512	1270	3242	192	167	279
SS66B 46	TR860	45	60	88	○	●	4572	1270	3302	192	167	280
SS66B 47	TR860	45	60	88	○	●	4633	1270	3363	192	167	282
SS66B 48	TR860	45	60	88	○	●	4693	1270	3423	192	167	284
SS66B 49	TR860	45	60	88	○	●	4754	1270	3484	192	167	286
SS66B 50	TR860	45	60	88	○	●	4814	1270	3544	192	167	288

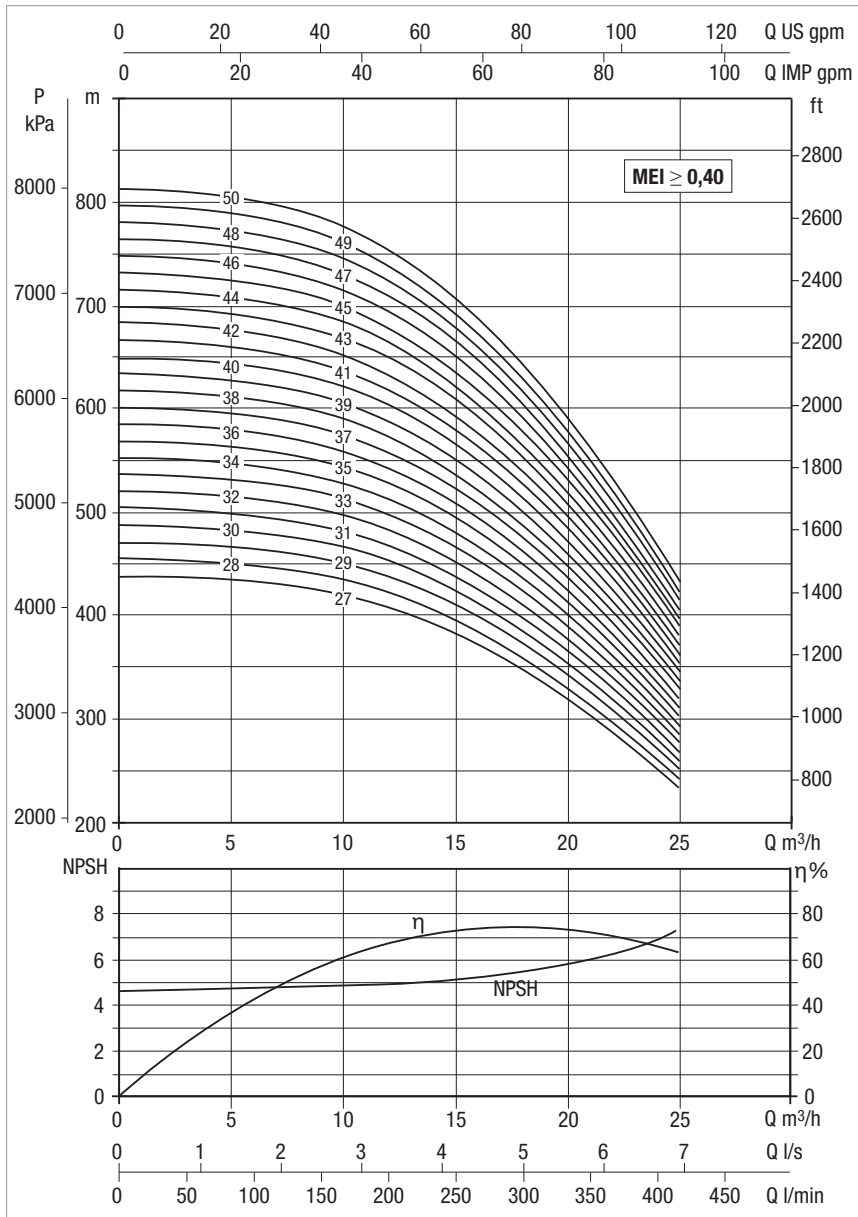
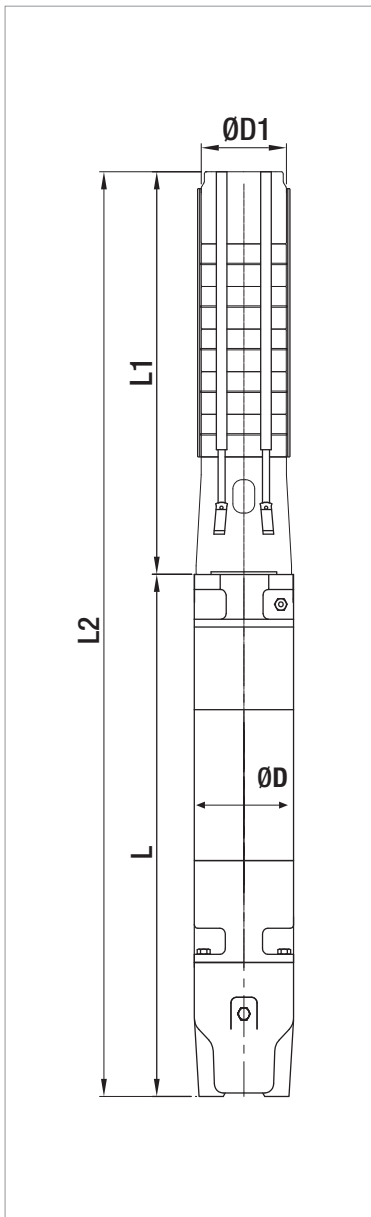
**Motor 6GF:** 6" canned submersible motors.  
**Motor TR6:** 6" rewindable submersible motors.

●	Allowed
○	Only PE2 + PA version

# SS66B

## SUBMERSIBLE ELECTRIC PUMPS 6"

The performance curves are based on the kinematic viscosity values = 1 mm<sup>2</sup>/s and density equal to 1000 Kg/m<sup>3</sup>. Curve tolerance according to ISO 9906.





### PERFORMANCE 60 Hz - 2 POLES

MODEL	ELECTRICAL DATA		HYDRAULIC DATA											STANDARD MOTOR COUPLING
	P2 NOMINAL		Q=m³h	0	6	10	14	18	22	26	30	34	38	
	kW	HP	Q=l/min	0	1,7	2,8	3,9	5	6,1	7,2	8,3	9,4	10,6	
SS66C 03	4	5,5	H (m)	51	50	49	47	45	43	41	38	34	30	4"
SS66C 04	5,5	7,5		67	66	65	63	60	58	54	50	46	40	6"
SS66C 05	7,5	10		84	83	81	79	76	72	68	63	57	51	6"
SS66C 06	9,2	12,5		101	99	97	94	91	86	81	75	68	61	6"
SS66C 07	9,2	12,5		118	116	113	110	106	101	95	88	80	71	6"
SS66C 08	11	15		135	133	130	126	121	115	108	100	91	81	6"
SS66C 09	15	20		152	149	146	142	136	129	122	113	103	91	6"
SS66C 10	15	20		169	166	162	157	151	144	135	125	114	101	6"
SS66C 11	15	20		186	182	178	173	166	158	149	138	125	111	6"
SS66C 12	18,5	25		202	199	195	189	181	173	162	150	137	121	6"
SS66C 13	18,5	25		219	215	211	204	196	187	176	163	148	132	6"
SS66C 14	18,5	25		236	232	227	220	212	201	189	175	160	142	6"
SS66C 15	22	30		253	249	243	236	227	216	203	188	171	152	6"
SS66C 16	22	30		270	265	259	252	242	230	216	200	182	162	6"
SS66C 17	22	30		287	282	276	267	257	244	230	213	194	172	6"
SS66C 18	30	40		304	298	292	283	272	259	243	226	205	182	6"
SS66C 19	30	40		321	315	308	299	287	273	257	238	217	192	6"
SS66C 20	30	40		337	331	324	314	302	288	270	251	228	202	6"
SS66C 21	30	40		354	348	340	330	317	302	284	263	239	213	6"
SS66C 22	30	40		371	365	357	346	332	316	297	276	251	223	6"
SS66C 23	30	40		388	381	373	362	348	331	311	288	262	233	6"
SS66C 24	37	50		405	398	389	377	363	345	324	301	274	243	6"
SS66C 25	37	50		422	414	405	393	378	359	338	313	285	253	6"
SS66C 26	37	50		439	431	421	409	393	374	352	326	296	263	6"
SS66C 27	37	50		455	448	438	425	408	388	365	338	308	273	6"
SS66C 28	37	50		472	464	454	440	423	403	379	351	319	283	6"
SS66C 29	45	60		489	481	470	456	438	417	392	363	331	294	6"
SS66C 30	45	60		506	497	486	472	453	431	406	376	342	304	6"
SS66C 31	45	60		523	514	503	487	468	446	419	388	353	314	6"
SS66C 32	45	60		540	530	519	503	484	460	433	401	365	324	6"
SS66C 33	45	60		557	547	535	519	499	474	446	414	376	334	6"
SS66C 34	45	60		574	564	551	535	514	489	460	426	388	344	6"
SS66C 35	55	75		590	580	567	550	529	503	473	439	399	354	6"
SS66C 36	55	75		607	597	584	566	544	518	487	451	411	364	6"
SS66C 37	55	75		624	613	600	582	559	532	500	464	422	375	6"
SS66C 38	55	75		641	630	616	597	574	546	514	476	433	385	6"
SS66C 39	55	75		658	646	632	613	589	561	527	489	445	395	6"

## ELECTRICAL DATA AND DIMENSIONS

MODEL	MOTOR *	ELECTRICAL DATA			OPERATING BY INVERTER	HORIZONTAL INSTALLATION	L2 mm	L mm	L1 mm	D mm	D1 mm	TOTAL WEIGHT Kg
		P2 NOMINAL		In A								
		KW	HP									
SS66C 03	6GF	4	5,5	9,5	●	●	1154	600	554	141	132	50,4
SS66C 04	6GF	5,5	7,5	13,3	●	●	1280	631	649	141	132	55,6
SS66C 05	6GF	7,5	10	16,5	●	●	1404	660	744	141	132	60,2
SS66C 06	6GF	9,2	12,5	20,6	●	●	1524	685	839	141	132	65,6
SS66C 07	6GF	9,2	12,5	20,6	●	●	1619	685	934	141	132	67,6
SS66C 08	6GF	11	15	23,3	●	●	1759	730	1029	141	132	74
SS66C 09	6GF	15	20	30,8	●	●	1909	785	1124	141	132	82
SS66C 10	6GF	15	20	30,8	●	●	2004	785	1219	141	132	84
SS66C 11	6GF	15	20	30,8	●	●	2099	785	1314	141	132	86
SS66C 12	6GF	18,5	25	40	●	●	2269	860	1409	141	132	96
SS66C 13	6GF	18,5	25	40	●	●	2364	860	1504	141	132	98
SS66C 14	6GF	18,5	25	40	●	●	2459	860	1599	141	132	100
SS66C 15	6GF	22	30	49,8	●	●	2614	920	1694	141	132	106,6
SS66C 16	6GF	22	30	49,8	●	●	2709	920	1789	141	132	108,6
SS66C 17	6GF	22	30	49,8	●	●	2804	920	1884	141	132	110,6
SS66C 18	6GF	30	40	62	●	●	3029	1050	1979	141	132	128,8
SS66C 19	6GF	30	40	62	●	●	3124	1050	2074	141	132	130,8
SS66C 20	6GF	30	40	62	●	●	3219	1050	2169	141	132	132,8
SS66C 21	6GF	30	40	62	●	●	3314	1050	2264	141	132	134,8
SS66C 22	6GF	30	40	62	●	●	3409	1050	2359	141	132	136,8
SS66C 23	6GF	30	40	62	●	●	3504	1050	2454	141	132	138,8
SS66C 24	6GF	37	50	77	●	●	3729	1180	2549	141	132	152,8
SS66C 25	6GF	37	50	77	●	●	3824	1180	2644	141	132	154,8
SS66C 26	6GF	37	50	77	●	●	3919	1180	2739	141	132	156,8
SS66C 27	6GF	37	50	77	●	●	4014	1180	2834	141	132	158,8
SS66C 28	6GF	37	50	77	●	●	4109	1180	2929	141	132	161,8
SS66C 29	TR860	45	60	88	○	●	4294	1270	3024	192	132	242
SS66C 30	TR860	45	60	88	○	●	4639	1270	3369	192	167	277
SS66C 31	TR860	45	60	88	○	●	4734	1270	3464	192	167	280
SS66C 32	TR860	45	60	88	○	●	4829	1270	3559	192	167	282
SS66C 33	TR860	45	60	88	○	●	4924	1270	3654	192	167	285
SS66C 34	TR860	45	60	88	○	●	5019	1270	3749	192	167	288
SS66C 35	TR875	55	75	107	○	●	5194	1350	3844	192	167	305
SS66C 36	TR875	55	75	107	○	●	5289	1350	3939	192	167	308
SS66C 37	TR875	55	75	107	○	●	5384	1350	4034	192	167	310
SS66C 38	TR875	55	75	107	○	●	5479	1350	4129	192	167	313
SS66C 39	TR875	55	75	107	○	●	5574	1350	4224	192	167	316

Motor 6GF: 6" canned submersible motors.

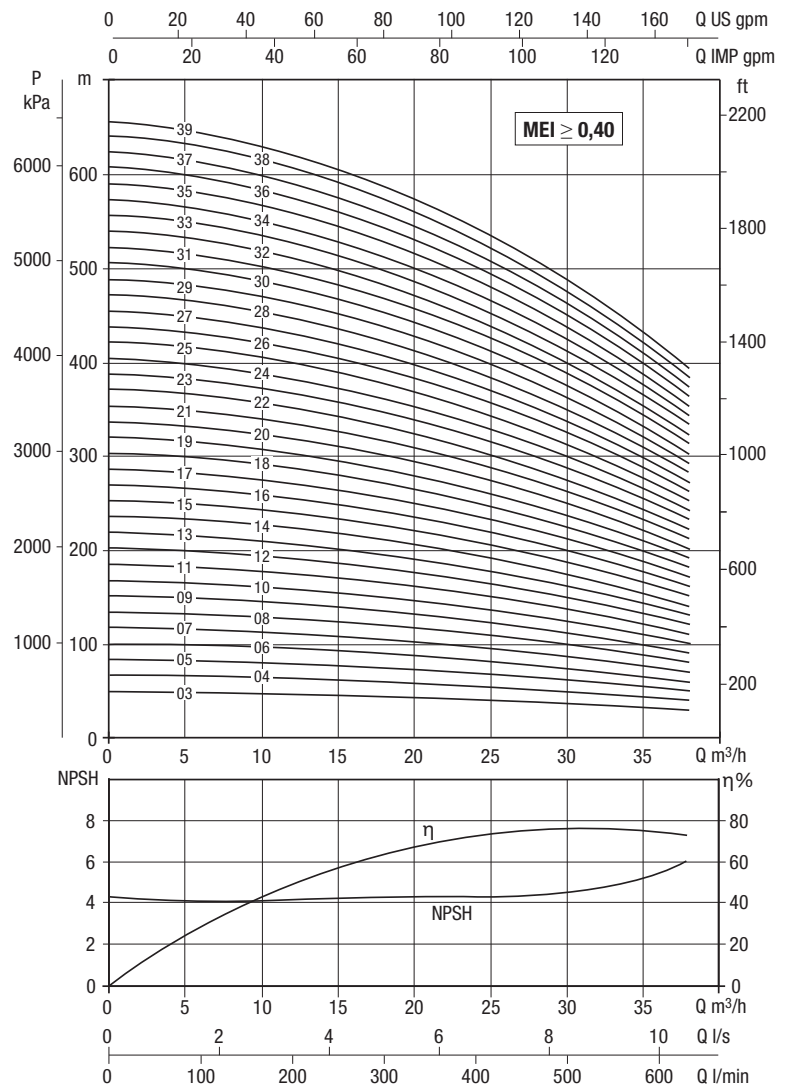
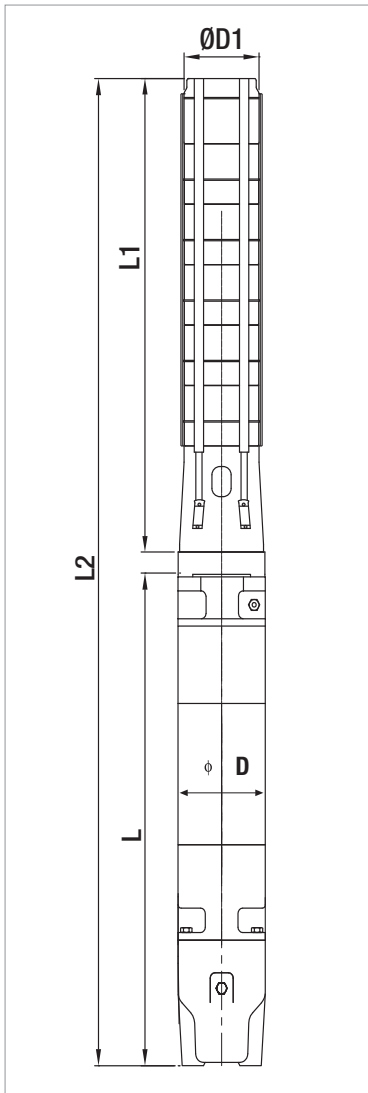
Motor TR6: 6" rewindable submersible motors.

● Allowed  
○ Only PE2 + PA version

# SS66C

## SUBMERSIBLE ELECTRIC PUMPS 6"

The performance curves are based on the kinematic viscosity values = 1 mm<sup>2</sup>/s and density equal to 1000 Kg/m<sup>3</sup>. Curve tolerance according to ISO 9906.



**PERFORMANCE 60 Hz - 2 POLES**

MODEL	ELECTRICAL DATA		HYDRAULIC DATA										STANDARD MOTOR COUPLING	
	P2 NOMINAL		Q=m <sup>3</sup> h	0	30	35	40	45	50	55	60	65		70
	kW	HP	Q=l/min	0	8,3	9,7	11,1	12,5	13,9	15,3	16,7	18,1		19,4
SS66D 01	4	5,5	H (m)	20	17	16	15	14	13	12	11	10	8	4"
SS66D 02	5,5	7,5		40	34	32	31	29	27	25	23	20	17	6"
SS66D 03	7,5	10		60	51	49	46	43	40	37	34	30	25	6"
SS66D 04	9,2	12,5		81	68	65	61	57	54	50	45	40	33	6"
SS66D 05	15	20		101	85	81	76	72	67	62	57	50	42	6"
SS66D 06	15	20		121	102	97	92	86	81	75	68	60	50	6"
SS66D 07	18,5	25		141	120	113	107	100	94	87	79	70	58	6"
SS66D 08	18,5	25		161	137	129	122	115	107	100	91	80	67	6"
SS66D 09	22	30		181	154	146	137	129	121	112	102	90	75	6"
SS66D 10	30	40		201	171	162	153	143	134	124	114	100	83	6"
SS66D 11	30	40		222	188	178	168	158	148	137	125	110	91	6"
SS66D 12	30	40		242	205	194	183	172	161	149	136	120	100	6"
SS66D 13	30	40		262	222	210	198	186	174	162	148	130	108	6"
SS66D 14	37	50		282	239	226	214	201	188	174	159	140	116	6"
SS66D 15	37	50		302	256	243	229	215	201	187	170	150	125	6"
SS66D 16	37	50		322	273	259	244	230	215	199	182	160	133	6"
SS66D 17	45	60		342	290	275	259	244	228	212	193	170	141	6"
SS66D 18	45	60		363	307	291	275	258	242	224	204	181	150	6"
SS66D 19	45	60		383	324	307	290	273	255	237	216	191	158	6"
SS66D 20	55	75		403	341	323	305	287	268	249	227	201	166	6"
SS66D 21	55	75		423	359	340	320	301	282	261	238	211	175	6"
SS66D 22	55	75		443	376	356	336	316	295	274	250	221	183	6"
SS66D 23	55	75		463	393	372	351	330	309	286	261	231	191	6"
SS66D 24	55	75		483	410	388	366	344	322	299	272	241	200	8"

### ELECTRICAL DATA AND DIMENSIONS

MODEL	MOTOR *	ELECTRICAL DATA			OPERATING BY INVERTER	HORIZONTAL INSTALLATION	L2 mm	L mm	L1 mm	D mm	D1 mm	TOTAL WEIGHT Kg
		P2 NOMINAL		In A								
		KW	HP									
SS66D 01	6GF	4	5,5	9,5	●	●	982	600	382	141	144	46,4
SS66D 02	6GF	5,5	7,5	13,3	●	●	1125	631	494	141	144	52,6
SS66D 03	6GF	7,5	10	16,5	●	●	1266	660	606	141	144	57,2
SS66D 04	6GF	9,2	12,5	20,6	●	●	1403	685	718	141	144	63,6
SS66D 05	6GF	15	20	30,8	●	●	1615	785	830	141	144	77
SS66D 06	6GF	15	20	30,8	●	●	1727	785	942	141	144	79
SS66D 07	6GF	18,5	25	40	●	●	1914	860	1054	141	144	90
SS66D 08	6GF	18,5	25	40	●	●	2026	860	1166	141	144	93
SS66D 09	6GF	22	30	49,8	●	●	2198	920	1278	141	144	98,6
SS66D 10	6GF	30	40	62	●	●	2440	1050	1390	141	144	117,8
SS66D 11	6GF	30	40	62	●	●	2552	1050	1502	141	144	120,8
SS66D 12	6GF	30	40	62	●	●	2664	1050	1614	141	144	122,8
SS66D 13	6GF	30	40	62	●	●	2776	1050	1726	141	144	125,8
SS66D 14	6GF	37	50	77	●	●	3018	1180	1838	141	144	140,8
SS66D 15	6GF	37	50	77	●	●	3130	1180	1950	141	144	142,8
SS66D 16	6GF	37	50	77	●	●	3242	1180	2062	141	144	145,8
SS66D 17	TR860	45	60	88	○	●	3444	1270	2174	192	144	226
SS66D 18	TR860	45	60	88	○	●	3556	1270	2286	192	144	229
SS66D 19	TR860	45	60	88	○	●	3668	1270	2398	192	144	232
SS66D 20	TR875	55	75	107	○	●	3860	1350	2510	192	144	249
SS66D 21	TR875	55	75	107	○	●	3972	1350	2622	192	144	252
SS66D 22	TR875	55	75	107	○	●	4084	1350	2734	192	144	255
SS66D 23	TR875	55	75	107	○	●	4196	1350	2846	192	144	257
SS66D 24	TR875	55	75	107	○	●	4308	1350	2958	192	144	260

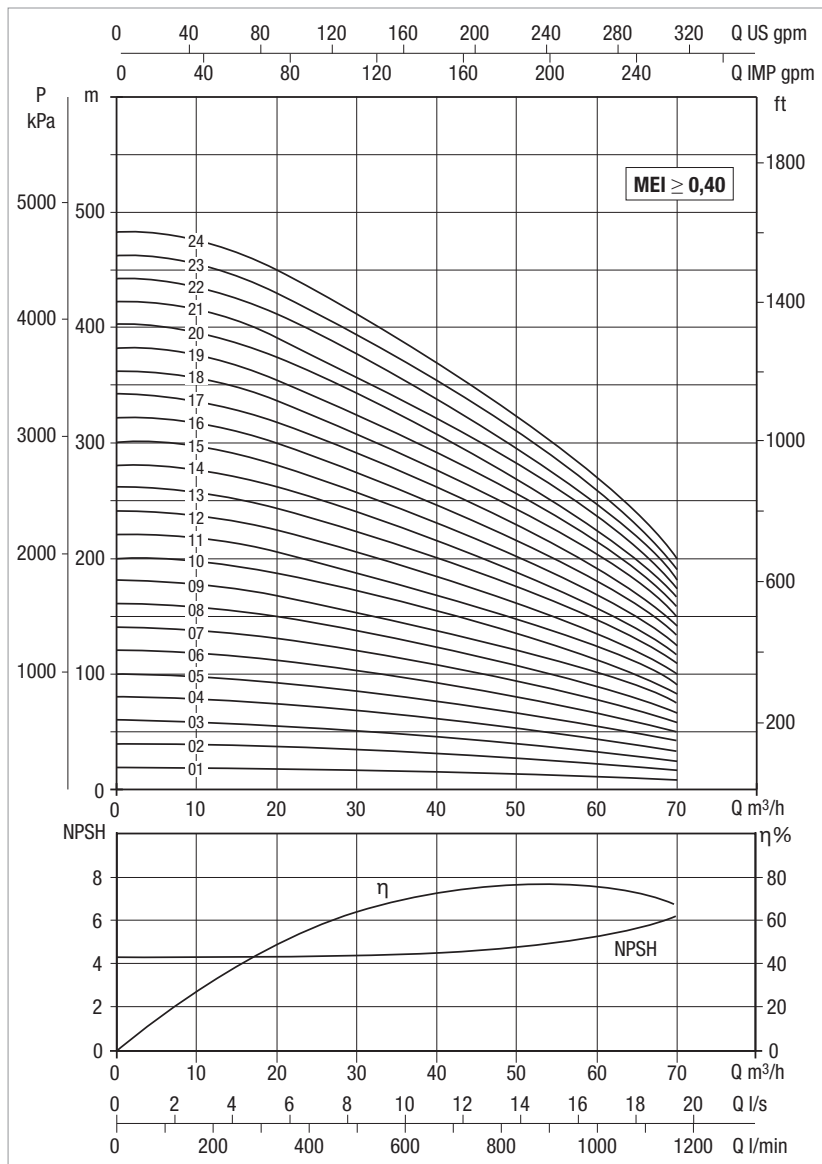
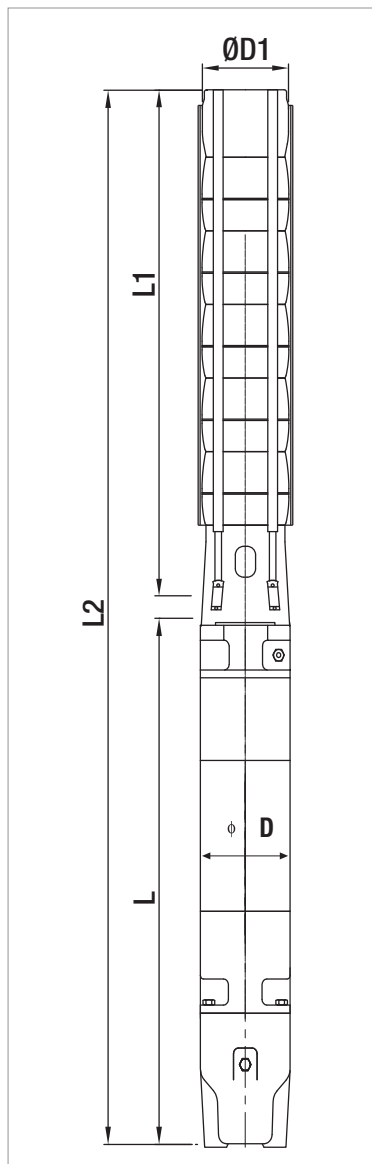
**Motor 6GF:** 6" canned submersible motors.  
**Motor TR6:** 6" rewindable submersible motors.

●	Allowed
○	Only PE2 + PA version

# SS66D

## SUBMERSIBLE ELECTRIC PUMPS 6"

The performance curves are based on the kinematic viscosity values = 1 mm<sup>2</sup>/s and density equal to 1000 Kg/m<sup>3</sup>. Curve tolerance according to ISO 9906.



### PERFORMANCE 60 Hz - 2 POLES

MODEL	ELECTRICAL DATA		HYDRAULIC DATA										STANDARD MOTOR COUPLING	
	P2 NOMINAL		Q=m³h	0	50	55	60	65	70	75	80	85		90
	kW	HP	Q=l/min	0	13,9	15,3	16,7	18,1	19,4	20,8	22,2	23,6		25
SS66E 01	4	5,5	H (m)	22	15	14	14	13	12	12	11	10	8	4"
SS66E 02	5,5	7,5		43	29	28	27	26	25	23	21	19	16	6"
SS66E 03	9,2	12,5		65	44	42	41	39	37	35	32	29	24	6"
SS66E 04	11	15		86	59	57	54	52	49	46	43	38	33	6"
SS66E 05	15	20		108	74	71	68	65	62	58	53	48	41	6"
SS66E 06	18,5	25		130	88	85	81	78	74	70	64	57	49	6"
SS66E 07	22	30		151	103	99	95	91	86	81	75	67	57	6"
SS66E 08	22	30		173	118	113	109	104	99	93	85	76	65	6"
SS66E 09	30	40		194	133	127	122	117	111	104	96	86	73	6"
SS66E 10	30	40		216	147	142	136	130	123	116	107	96	81	6"
SS66E 11	30	40		238	162	156	149	143	136	127	118	105	89	6"
SS66E 12	37	50		259	177	170	163	156	148	139	128	115	98	6"
SS66E 13	37	50		281	192	184	177	169	160	151	139	124	106	6"
SS66E 14	45	60		303	206	198	190	182	173	162	150	134	114	6"
SS66E 15	45	60		324	221	212	204	195	185	174	160	143	122	6"
SS66E 16	45	60		346	236	227	217	208	197	185	171	153	130	6"
SS66E 17	55	75		367	251	241	231	221	210	197	182	162	138	6"
SS66E 18	55	75		389	265	255	244	234	222	209	192	172	146	6"
SS66E 19	55	75		411	280	269	258	247	234	220	203	182	154	6"
SS66E 20	55	75		432	295	283	272	260	247	232	214	191	163	6"
SS66E 21	63	85		454	310	297	285	273	259	243	224	201	171	6"

## ELECTRICAL DATA AND DIMENSIONS

MODEL	MOTOR *	ELECTRICAL DATA			OPERATING BY INVERTER	HORIZONTAL INSTALLATION	L2 mm	L mm	L1 mm	D mm	D1 mm	TOTAL WEIGHT Kg
		P2 NOMINAL		In A								
		kW	HP									
SS66E 01	6GF	4	5,5	9,5	●	●	982	600	382	141	144	46,4
SS66E 02	6GF	5,5	7,5	13,3	●	●	1125	631	494	141	144	52,6
SS66E 03	6GF	9,2	12,5	20,6	●	●	1291	685	606	141	144	60,6
SS66E 04	6GF	11	15	23,3	●	●	1448	730	718	141	144	68
SS66E 05	6GF	15	20	30,8	●	●	1615	785	830	141	144	77
SS66E 06	6GF	18,5	25	40	●	●	1802	860	942	141	144	87
SS66E 07	6GF	22	30	49,8	●	●	1974	920	1054	141	144	93,6
SS66E 08	6GF	22	30	49,8	●	●	2086	920	1166	141	144	96,6
SS66E 09	6GF	30	40	62	●	●	2328	1050	1278	141	144	114,8
SS66E 10	6GF	30	40	62	●	●	2440	1050	1390	141	144	117,8
SS66E 11	6GF	30	40	62	●	●	2552	1050	1502	141	144	120,8
SS66E 12	6GF	37	50	77	●	●	2794	1180	1614	141	144	134,8
SS66E 13	6GF	37	50	77	●	●	2906	1180	1726	141	144	137,8
SS66E 14	TR860	45	60	88	○	●	3108	1270	1838	192	144	219
SS66E 15	TR860	45	60	88	○	●	3220	1270	1950	192	144	221
SS66E 16	TR860	45	60	88	○	●	3332	1270	2062	192	144	224
SS66E 17	TR875	55	75	107	○	●	3524	1350	2174	192	144	242
SS66E 18	TR875	55	75	107	○	●	3636	1350	2286	192	144	244
SS66E 19	TR875	55	75	107	○	●	3748	1350	2398	192	144	247
SS66E 20	TR875	55	75	107	○	●	3860	1350	2510	192	144	250
SS66E 21	TR885	63	85	120	○	●	4112	1490	2622	192	144	278

Motor 6GF: 6" canned submersible motors.

Motor TR6: 6" rewindable submersible motors.

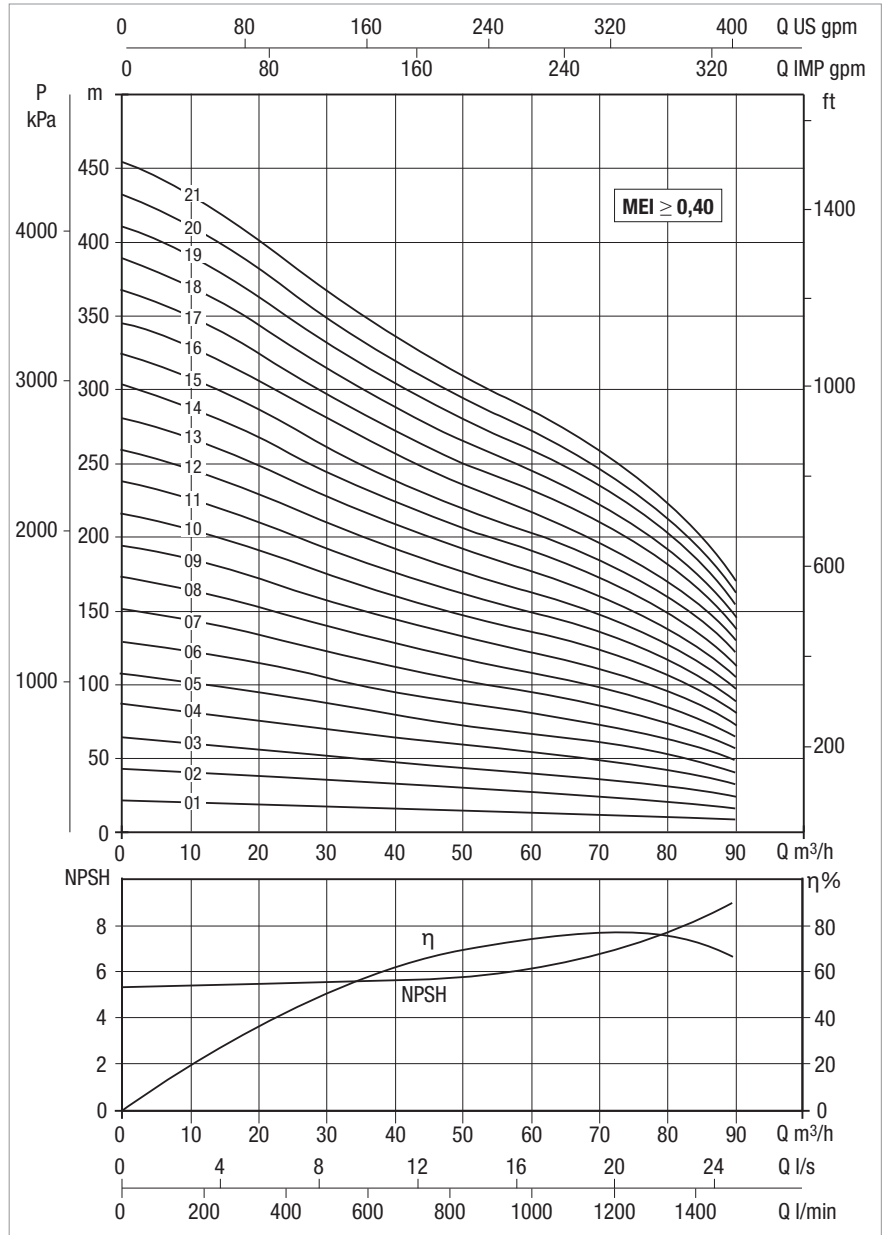
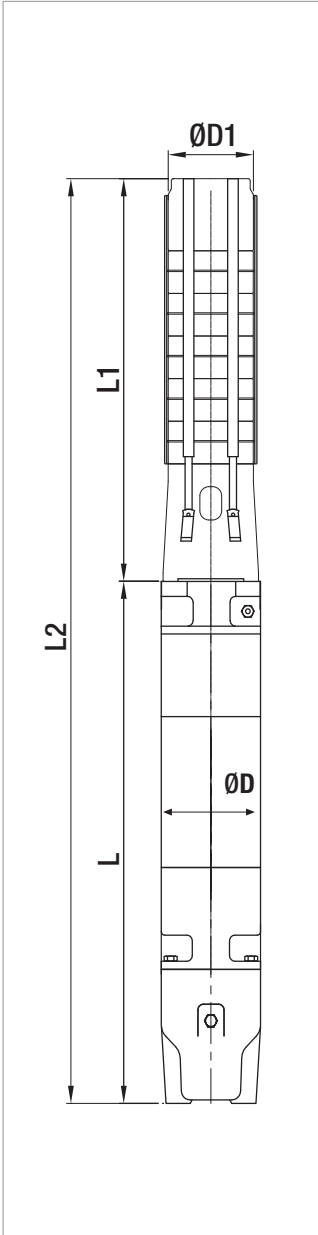
●	Allowed
○	Only PE2 + PA version



# SS66E

## SUBMERSIBLE ELECTRIC PUMPS 6"

The performance curves are based on the kinematic viscosity values = 1 mm<sup>2</sup>/s and density equal to 1000 Kg/m<sup>3</sup>. Curve tolerance according to ISO 9906.



**TECHNICAL DATA**

**Performance range:** : flow up to 110 m<sup>3</sup>/h and max head of 423 m

**Max. quantity of sand/silt:** 50 g/m<sup>3</sup>

**TMax. ambient temperature:** 30°C (50°C available on request)

**Outlet connection diameter (inside threaded):**

- SS6 A / SS6 B: 2 ½"

- SS6 C: 3"

- SS6 D – SS6 E: 4"

**Nr of starts:** refer to the motor specification

**Motor Cooling flow:** refer to the motor specification

**Installation:** horizontal or vertical, refer to the motor specification

**APPLICATIONS**

Multistage mixed-flow borehole electric pumps, completely made in stainless steel (AISI 304L or AISI 316 on request), usable for wells from a minimum diameter equal to pump size or greater and capable of developing a wide range of Flows and Heads.

These pumps can be used in a wide range of lifting, distributing, and pressuring application: domestic and general water supply; sprinkler and drip irrigations systems; fire-fighting installations; lowering of groundwater level; industrial supplies as mining, hot springs, autoclaves and tanks.

These pumps are suitable both for standard water and for aggressive water applications by choosing the proper manufacturing material (AISI 304L or AISI 316) both for hydraulic part and motor.

Special version of motors with PE2+PA windings can be used on request for high-temperature water applications up to maximum 50°C.

Pumps can be installed both vertically and horizontally simply by removing the non-return valve and adding a cooling sleeve to the suction case (the only remark is to check the motor applicability to horizontal operations, refer to the motor specifications section).

**CONSTRUCTION FEATURES OF PUMP**

Mixed flow pumps with diffusers, impellers, brackets, suction case and discharge case completely made of stainless steel AISI 304 in order to provide maximum strength, durability, wear and tear resistance.

The impellers are balanced and locked to the shaft with a specially shaped collet and nut coupling, in order to guarantee ease-to-assembly feature and avoid vibration sensitive malfunctions and noise increase during rotation.

Rubber bearings that drive the shaft are water lubricated and have sand channels to make enable the sand particles leave the pump with the pumped liquid (maximum permissible sand content 50 gr/m<sup>3</sup>).

Built-in non returned valve provided in order to minimize local friction losses.

Stainless steel strainer provided in order to prevent particles over a certain size from entering the pump.

Coupling with 6", 8" or 10" motor depending on the power requested by hydraulic part:

- 6GF: 6" canned submersible motor
- TR6: 6" rewindable submersible motor
- TR8: 8" rewindable submersible motor
- TR10: 10" rewindable submersible motor

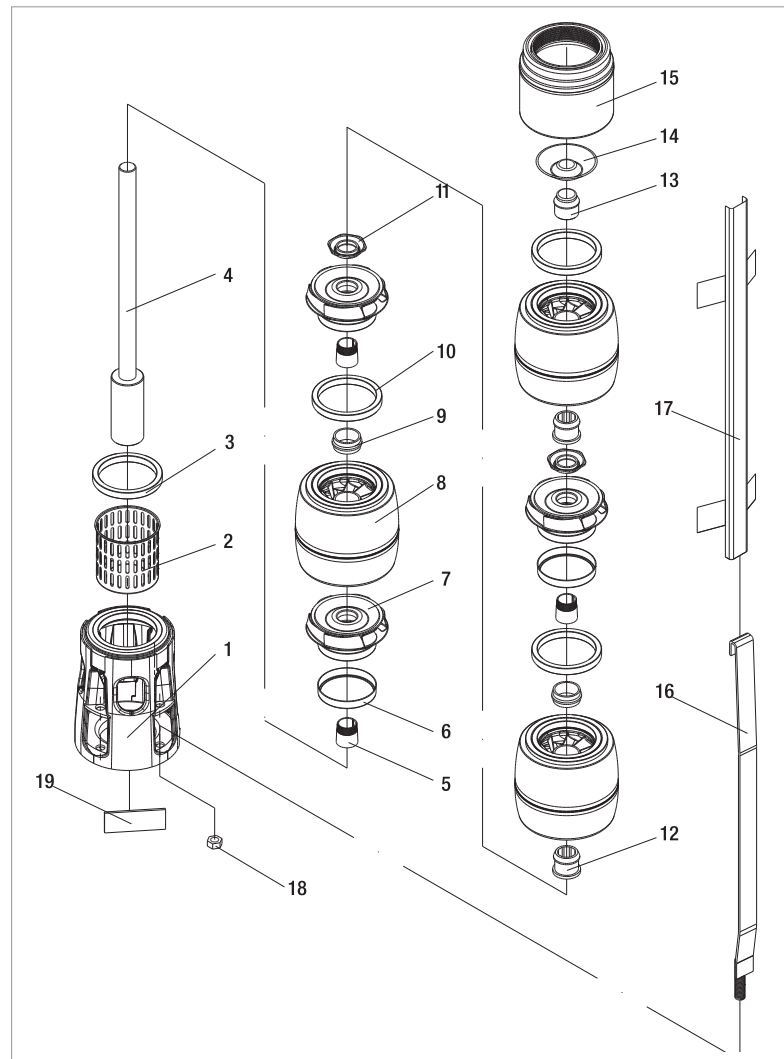
For inverter application refer to the detailed motor specification.

**ON REQUEST:**

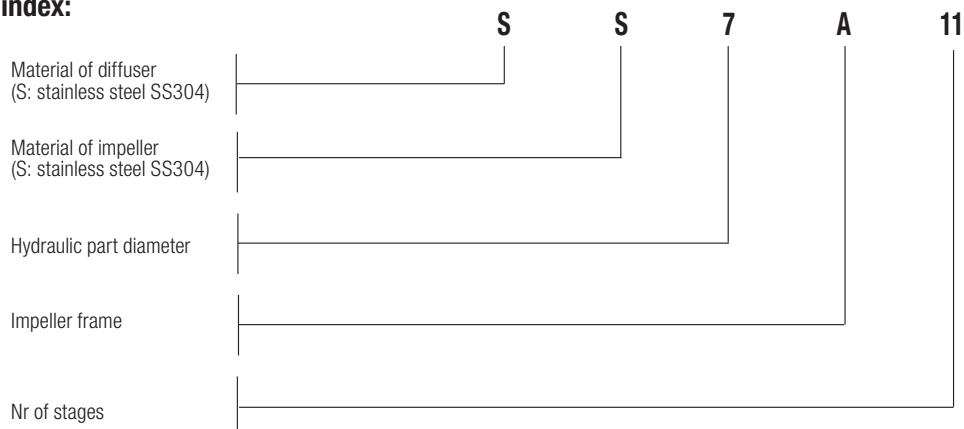
- Pump body stainless steel AISI 316 for aggressive water application
- Impellers stainless steel AISI 316
- Motors in full stainless steel AISI 316 for aggressive water application
- Star/Delta starting version
- Special version of the motor for high temperature application
- Non-standard power coupling

### MATERIALS

N°	Part Name	Material
1	Suction Case	Stainless Steel (AISI 304L)
2	Filter	Stainless Steel (AISI 304L)
3	Suction Case Wear Ring	Bronze (ASTM B145-4A)
4	Pump Shaft	Stainless Steel (AISI 420)
5	Collet	Stainless Steel
6	Impeller Wear Ring	STAINLESS STEEL (AISI 304)
7	Impeller	Stainless Steel (AISI 304L)
8	Diffuser	Stainless Steel (AISI 304L)
9	Rubber Bearing	Rubber
10	Diffuser Wear Ring	Rubber
11	Nut for Stop Ring	Stainless Steel (AISI 304L)
12	Bearing	Rubber
13	Shaft Stopper	Bronze (ASTM B145-4A)
14	Valve	Stainless Steel (AISI 304)
15	Discharge Case	Stainless Steel (AISI 304)
16	TIE ROD	STAINLESS STEEL (AISI 304L)
17	CABLE GUARD	STAINLESS STEEL (AISI 304)
18	TIR ROD NUT	STAINLESS STEEL (AISI 303)
19	NAME PLATE	STAINLESS STEEL (AISI 304)



**- Denomination index:**  
(EXAMPLE)



# SS76A

## SUBMERSIBLE ELECTRIC PUMPS 7"

### PERFORMANCE 60 Hz - 2 POLES

MODEL	ELECTRICAL DATA		Q=m <sup>3</sup> /h Q=l/sec	HYDRAULIC DATA										STANDARD MOTOR COUPLING
	P2 NOMINAL			0	30	50	60	70	80	90	100	110	120	
	kW	HP		0	8,3	13,9	16,7	19,4	22,2	25	27,8	30,6	33,3	
SS76A 01	5,5	7,5	H (m)	28	26	25	23	22	21	19	17	15	12	6"
SS76A 02	11	15		55	53	49	47	44	41	38	34	29	24	6"
SS76A 03	18,5	25		83	79	74	70	66	62	57	51	44	36	6"
SS76A 04	22	30		111	105	98	94	88	83	76	68	59	48	6"
SS76A 05	30	40		138	132	123	117	111	103	95	85	73	60	6"
SS76A 06	37	50		166	158	147	140	133	124	114	102	88	72	6"
SS76A 07	37	50		194	184	172	164	155	145	133	119	103	84	6"
SS76A 08	45	60		221	211	196	187	177	165	152	136	118	96	6"
SS76A 09	55	75		249	237	221	210	199	186	171	153	132	107	6"
SS76A 10	55	75		277	263	245	234	221	206	190	170	147	119	6"
SS76A 11	75	100		304	289	270	257	243	227	209	187	162	131	8"
SS76A 12	75	100		332	316	294	281	265	248	228	204	176	143	8"
SS76A 13	75	100		360	342	319	304	287	268	247	221	191	155	8"
SS76A 14	92	125		387	368	343	327	309	289	266	238	206	167	8"
SS76A 15	92	125		415	395	368	351	332	310	285	255	220	179	8"

### ELECTRICAL DATA AND DIMENSIONS

MODEL	MOTOR *	ELECTRICAL DATA			OPERATING BY INVERTER	HORIZONTAL INSTALLATION	L2 mm	L mm	L1 mm	D mm	D1 mm	TOTAL WEIGHT Kg
		P2 NOMINAL		In A								
		kW	HP									
SS76A 01	6GF	5,5	7,5	13,3	●	●	1202	631	571	141	172	68,6
SS76A 02	6GF	11	15	23,3	●	●	1429	730	699	141	172	83
SS76A 03	6GF	18,5	25	40	●	●	1687	860	827	141	172	101
SS76A 04	6GF	22	30	49,8	●	●	1875	920	955	141	172	108,6
SS76A 05	6GF	30	40	62	●	●	2133	1050	1083	141	172	128,8
SS76A 06	6GF	37	50	77	●	●	2391	1180	1211	141	172	144,8
SS76A 07	6GF	37	50	77	●	●	2519	1180	1339	141	172	148,8
SS76A 08	TR860	45	60	88	○	●	2737	1270	1467	192	172	231
SS76A 09	TR875	55	75	107	○	●	2945	1350	1595	192	172	250
SS76A 10	TR875	55	75	107	○	●	3073	1350	1723	192	172	254
SS76A 11	TR8100	75	100	143	○	●	3441	1590	1851	192	172	303
SS76A 12	TR8100	75	100	143	○	●	3569	1590	1979	192	172	307
SS76A 13	TR8100	75	100	143	○	●	3697	1590	2107	192	172	311
SS76A 14	TR8125	92	125	175	○	●	4065	1830	2235	192	172	361
SS76A 15	TR8125	92	125	175	○	●	4193	1830	2363	192	172	365

\* Motor 6GF: 6" canned submersible motors.

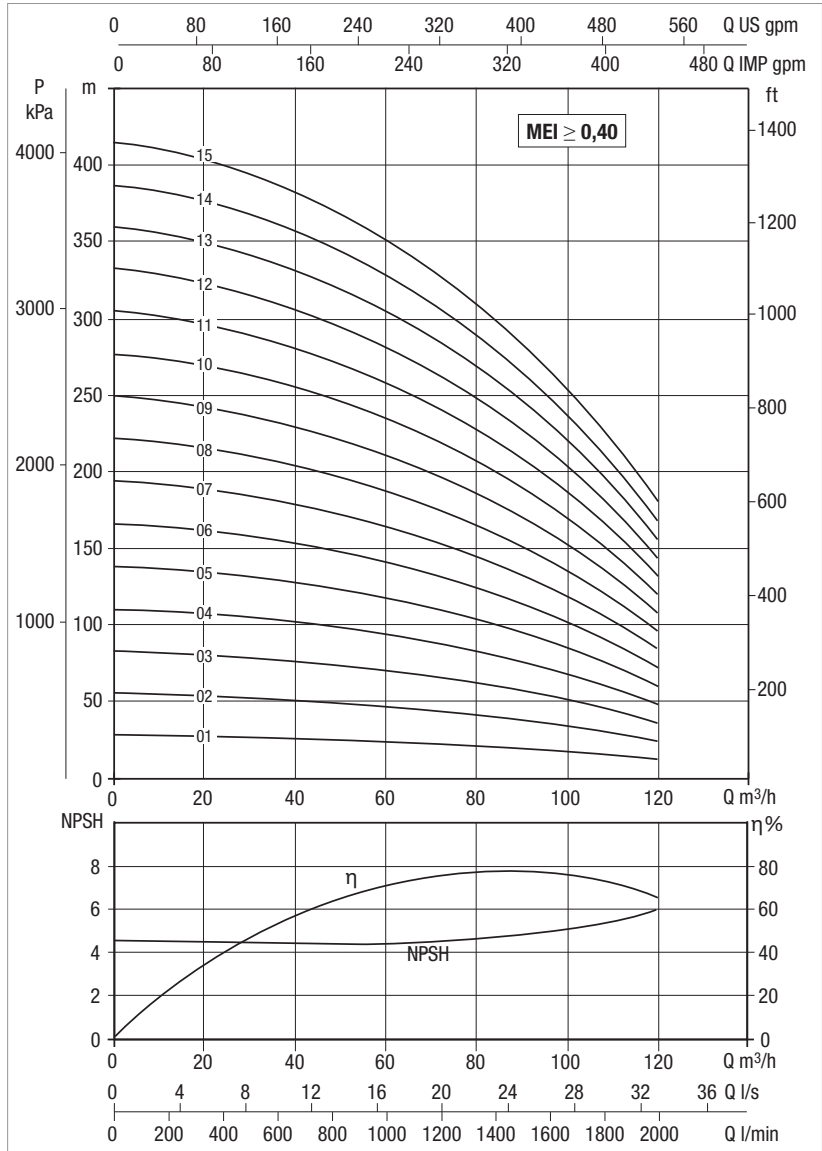
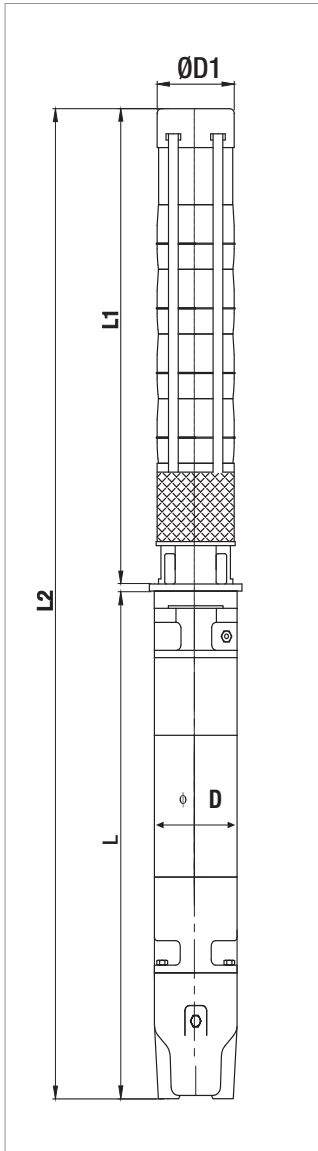
Motor TR: 6"-8" rewindable submersible motors.

●	Allowed
○	Only PE2 + PA version

# SS76A

## SUBMERSIBLE ELECTRIC PUMPS 7"

The performance curves are based on the kinematic viscosity values = 1 mm<sup>2</sup>/s and density equal to 1000 Kg/m<sup>3</sup>. Curve tolerance according to ISO 9906.



### PERFORMANCE 60 Hz - 2 POLES

MODEL	ELECTRICAL DATA		Q=m <sup>3</sup> /h Q=l/min	HYDRAULIC DATA										STANDARD MOTOR COUPLING
	P2 NOMINAL			0	40	70	80	90	100	110	120	130	140	
	kW	HP		0	11,1	19,4	22,2	25,0	27,8	30,6	33,3	36,1	38,9	
SS76B 01	9,2	12,5	H (m)	31	30	27	26	25	24	22	21	18	15	6"
SS76B 02	18,5	25		61	60	54	53	50	48	45	41	36	29	6"
SS76B 03	30	40		92	90	82	79	76	72	67	62	54	44	6"
SS76B 04	37	50		123	119	109	105	101	96	90	82	72	59	6"
SS76B 05	45	60		153	149	136	131	126	120	112	103	90	73	6"
SS76B 06	55	75		184	179	163	158	151	144	135	123	108	88	6"
SS76B 07	63	85		215	209	191	184	176	168	157	144	126	103	6"
SS76B 08	75	100		245	239	218	210	202	192	179	164	144	117	8"
SS76B 09	75	100		276	269	245	236	227	216	202	185	162	132	8"
SS76B 10	92	125		307	298	272	263	252	240	224	205	180	147	8"
SS76B 11	92	125		337	328	300	289	277	263	247	226	198	161	8"

**ELECTRICAL DATA AND DIMENSIONS**

MODEL	MOTOR *	ELECTRICAL DATA			OPERATING BY INVERTER	HORIZONTAL INSTALLATION	L2 mm	L mm	L1 mm	D mm	D1 mm	TOTAL WEIGHT Kg
		P2 NOMINAL		In A								
		kW	HP									
SS76B 01	6GF	9,2	12,5	20,6	●	●	1256	685	571	141	172	74,6
SS76B 02	6GF	18,5	25	40	●	●	1559	860	699	141	172	97
SS76B 03	6GF	30	40	62	●	●	1877	1050	827	141	172	119,2
SS76B 04	6GF	37	50	77	●	●	2135	1180	955	141	172	135,6
SS76B 05	TR860	45	60	88	○	●	2353	1270	1083	192	172	219
SS76B 06	TR875	55	75	107	○	●	2561	1350	1211	192	172	238
SS76B 07	TR885	63	85	120	○	●	2829	1490	1339	192	172	268
SS76B 08	TR8100	75	100	143	○	●	3057	1590	1467	192	172	291
SS76B 09	TR8100	75	100	143	○	●	3185	1590	1595	192	172	295
SS76B 10	TR8125	92	125	175	○	●	3553	1830	1723	192	172	345
SS76B 11	TR8125	92	125	175	○	●	3681	1830	1851	192	172	349

\* **Motor 6GF:** 6" canned submersible motors.

**Motor TR:** 6"-8" rewindable submersible motors.

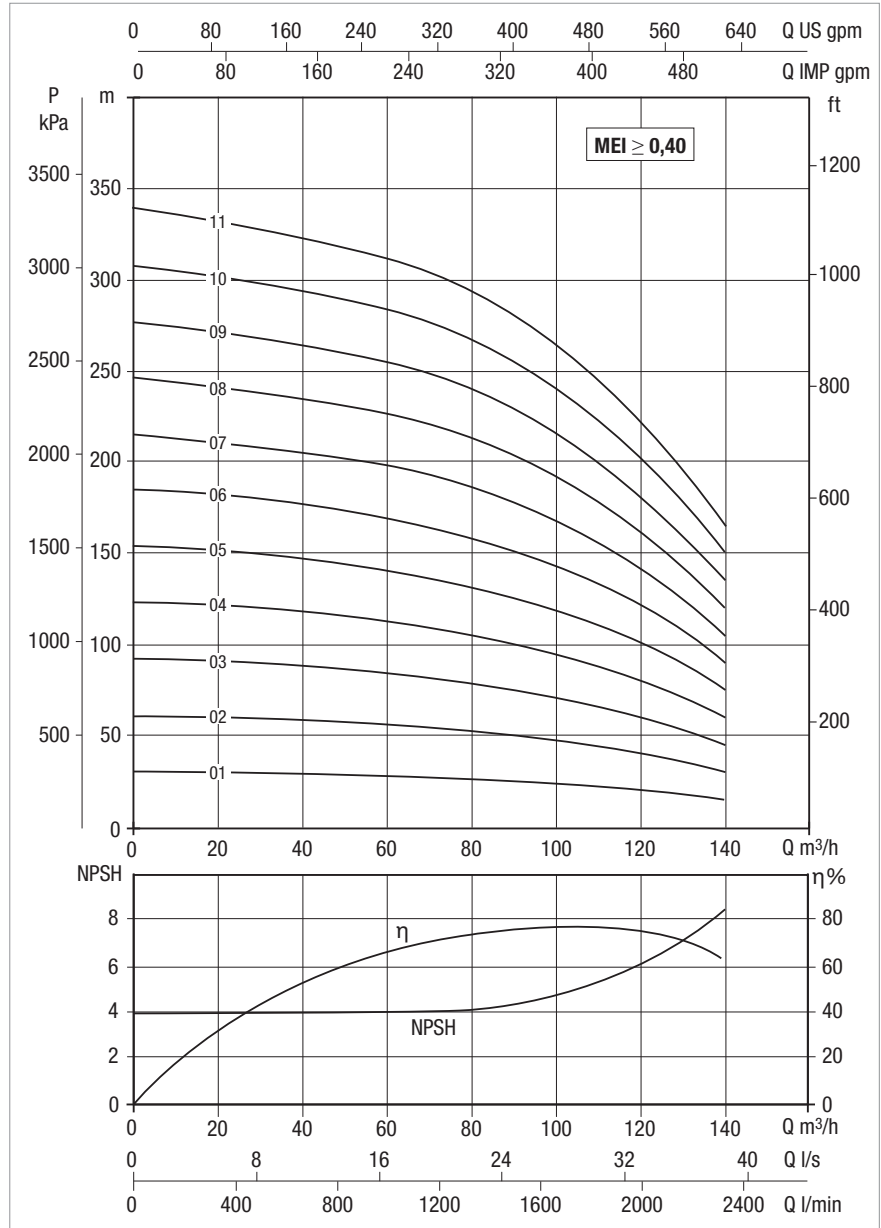
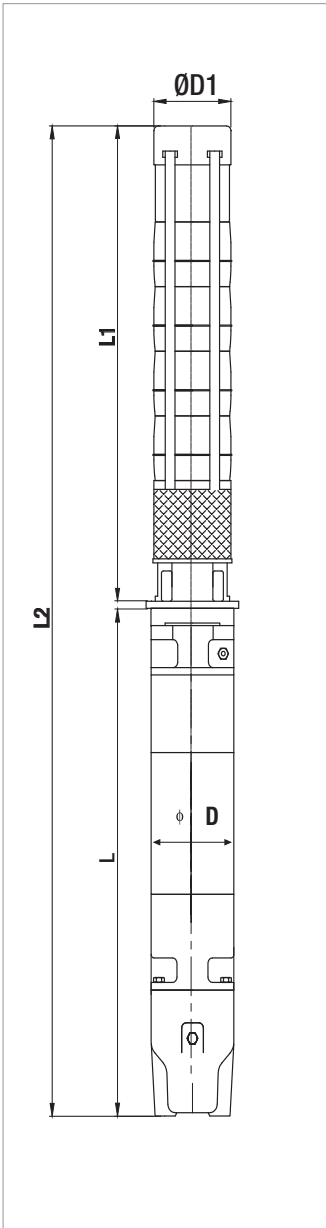
●	Allowed
○	Only PE2 + PA version



# SS76B

## SUBMERSIBLE ELECTRIC PUMPS 7"

The performance curves are based on the kinematic viscosity values = 1 mm<sup>2</sup>/s and density equal to 1000 Kg/m<sup>3</sup>. Curve tolerance according to ISO 9906.



**TECHNICAL DATA**

**Performance range:** : flow up to 110 m<sup>3</sup>/h and max head of 423 m

**Max. quantity of sand/silt:** 50 g/m<sup>3</sup>

**TMax. ambient temperature:** 30°C (50°C available on request)

**Outlet connection diameter (inside threaded):** 5"

**Nr of starts:** refer to the motor specification

**Motor Cooling flow:** refer to the motor specification

**Installation:** horizontal or vertical, refer to the motor specification

**APPLICATIONS**

Multistage mixed-flow borehole electric pumps, completely made in stainless steel (AISI 304L or AISI 316 on request), usable for wells from a minimum diameter equal to pump size or greater and capable of developing a wide range of Flows and Heads.

These pumps can be used in a wide range of lifting, distributing, and pressuring application: domestic and general water supply; sprinkler and drip irrigations systems; fire-fighting installations; lowering of groundwater level; industrial supplies as mining, hot springs, autoclaves and tanks.

These pumps are suitable both for standard water and for aggressive water applications by choosing the proper manufacturing material (AISI 304L or AISI 316) both for hydraulic part and motor.

Special version of motors with PE2+PA windings can be used on request for high-temperature water applications up to maximum 50°C.

Pumps can be installed both vertically and horizontally simply by removing the non-return valve and adding a cooling sleeve to the suction case (the only remark is to check the motor applicability to horizontal operations, refer to the motor specifications section).

**CONSTRUCTION FEATURES OF PUMP**

Mixed flow pumps with diffusers, impellers, brackets, suction case and discharge case completely made of stainless steel AISI 304 in order to provide maximum strength, durability, wear and tear resistance.

The impellers are balanced and locked to the shaft with a specially shaped collet and nut coupling, in order to guarantee ease-to-assembly feature and avoid vibration sensitive malfunctions and noise increase during rotation.

Rubber bearings that drive the shaft are water lubricated and have sand channels to make enable the sand particles leave the pump with the pumped liquid (maximum permissible sand content 50 gr/m<sup>3</sup>).

Built-in non returned valve provided in order to minimize local friction losses.

Stainless steel strainer provided in order to prevent particles over a certain size from entering the pump.

Coupling with 6", 8" or 10" motor depending on the power requested by hydraulic part:

- 6GF: 6" canned submersible motor
- TR6: 6" rewindable submersible motor
- TR8: 8" rewindable submersible motor
- TR10: 10" rewindable submersible motor

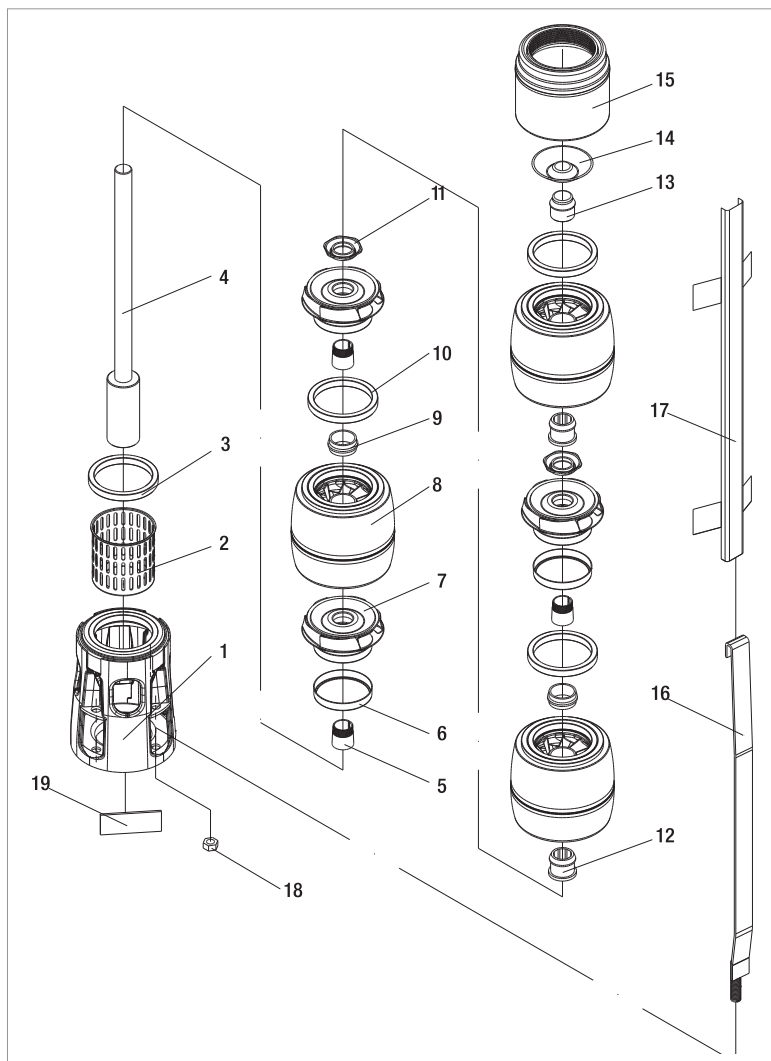
For inverter application refer to the detailed motor specification.

**ON REQUEST:**

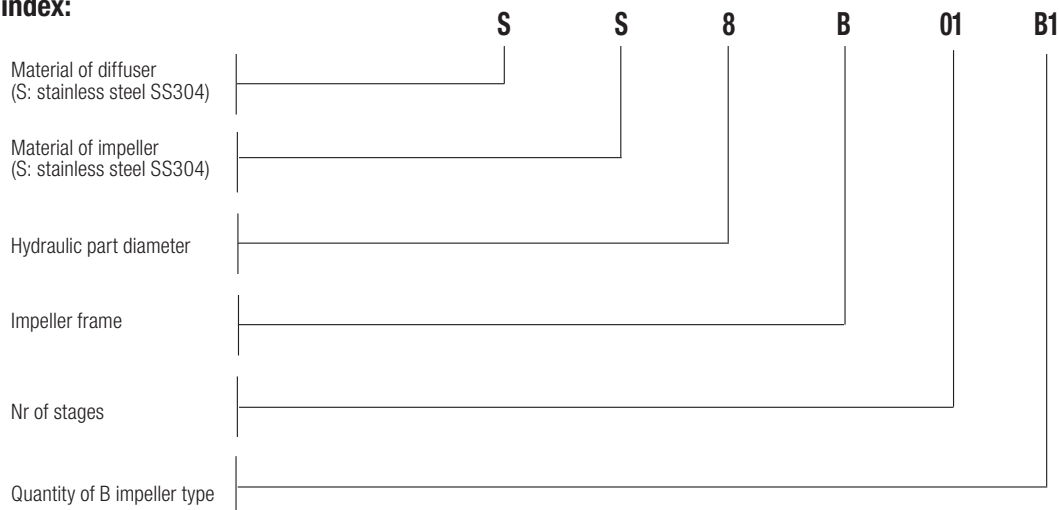
- Pump body stainless steel AISI 316 for aggressive water application
- Impellers stainless steel AISI 316
- Motors in full stainless steel AISI 316 for aggressive water application
- Star/Delta starting version
- Special version of the motor for high temperature application
- Non-standard power coupling

### MATERIALS

N°	Part Name	Material
1	Suction Case	Stainless Steel (AISI 304L)
2	Filter	Stainless Steel (AISI 304L)
3	Suction Case Wear Ring	Bronze (ASTM B145-4A)
4	Pump Shaft	Stainless Steel (AISI 420)
5	Collet	Stainless Steel
6	Impeller Wear Ring	STAINLESS STEEL (AISI 304)
7	Impeller	Stainless Steel (AISI 304L)
8	Diffuser	Stainless Steel (AISI 304L)
9	Rubber Bearing	Rubber
10	Diffuser Wear Ring	Rubber
11	Nut for Stop Ring	Stainless Steel (AISI 304L)
12	Bearing	Rubber
13	Shaft Stopper	Bronze (ASTM B145-4A)
14	Valve	Stainless Steel (AISI 304)
15	Discharge Case	Stainless Steel (AISI 304)
16	TIE ROD	STAINLESS STEEL (AISI 304L)
17	CABLE GUARD	STAINLESS STEEL (AISI 304)
18	TIR ROD NUT	STAINLESS STEEL (AISI 303)
19	NAME PLATE	STAINLESS STEEL (AISI 304)



**- Denomination index:**  
(EXAMPLE)



**PERFORMANCE 60 Hz - 2 POLES**

MODEL	ELECTRICAL DATA		Q=m <sup>3</sup> h Q=l/sec	HYDRAULIC DATA										STANDARD MOTOR COUPLING
	P2 NOMINAL			0	50	65	80	95	110	125	140	155	170	
	kW	HP		0	13,9	18,1	22,2	26,4	30,6	34,7	38,9	43,1	47,2	
SS86A 01	15	20	H (m)	40	36	35	33	32	30	27	25	21	17	6"
SS86A 02	30	40		80	72	70	67	63	59	55	49	42	34	6"
SS86A 03	37	50		120	108	104	100	95	89	82	74	64	51	6"
SS86A 04	45	60		160	145	139	133	127	119	110	98	85	68	6"
SS86A 05	63	85		200	181	174	167	158	149	137	123	106	85	6"
SS86A 06	75	100		240	217	209	200	190	178	164	147	127	102	8"
SS86A 07	92	125		280	253	244	233	222	208	192	172	148	119	8"
SS86A 08	92	125		320	289	279	267	253	238	219	197	169	136	8"
SS86A 09	110	150		360	325	313	300	285	267	246	221	191	153	8"
SS86A 10	110	150		400	361	348	334	317	297	274	246	212	170	8"
SS86A 11	132	180		440	398	383	367	348	327	301	270	233	187	8"
SS86A 12	132	180		480	434	418	400	380	357	329	295	254	204	8"
SS86A 13	147	200		520	470	453	434	412	386	356	319	275	222	8"
SS86A 14	170	230		560	506	488	467	444	416	383	344	296	239	8"
SS86A 15	170	230		599	542	522	500	475	446	411	369	318	256	8"

### ELECTRICAL DATA AND DIMENSIONS

MODEL	MOTOR *	ELECTRICAL DATA			OPERATING BY INVERTER	HORIZONTAL INSTALLATION	L2 mm	L mm	L1 mm	D mm	D1 mm	TOTAL WEIGHT Kg
		P2 NOMINAL		In A								
		kW	HP									
SS86A 01	6GF	15	20	30,8	●	●	1471	785	686	141	213	91
SS86A 02	6GF	30	40	62	●	●	1892	1050	842	141	213	124,8
SS86A 03	6GF	37	50	77	●	●	2177	1180	997	141	213	143,8
SS86A 04	TR860	45	60	88	○	●	2423	1270	1153	192	213	228
SS86A 05	TR885	63	85	120	○	●	2799	1490	1309	192	213	275
SS86A 06	TR8100	75	100	143	○	●	3055	1590	1465	192	213	301
SS86A 07	TR8125	92	125	175	○	●	3450	1830	1620	192	213	353
SS86A 08	TR8125	92	125	175	○	●	3606	1830	1776	192	213	359
SS86A 09	TR8150	110	150	210	○	○	3992	2060	1932	192	213	416
SS86A 10	TR8150	110	150	210	○	○	4147	2060	2087	192	213	422
SS86A 11	TR10180	132	180	252	○	●	4113	1870	2243	232	213	530
SS86A 12	TR10180	132	180	252	○	●	4269	1870	2399	232	213	536
SS86A 13	TR10200	147	200	290	○	●	4624	2070	2554	232	213	608
SS86A 14	TR10230	170	230	338	○	●	4930	2220	2710	232	213	654
SS86A 15	TR10230	170	230	338	○	●	5086	2220	2866	232	213	660

\* Motor 6GF: 6" canned submersible motors.

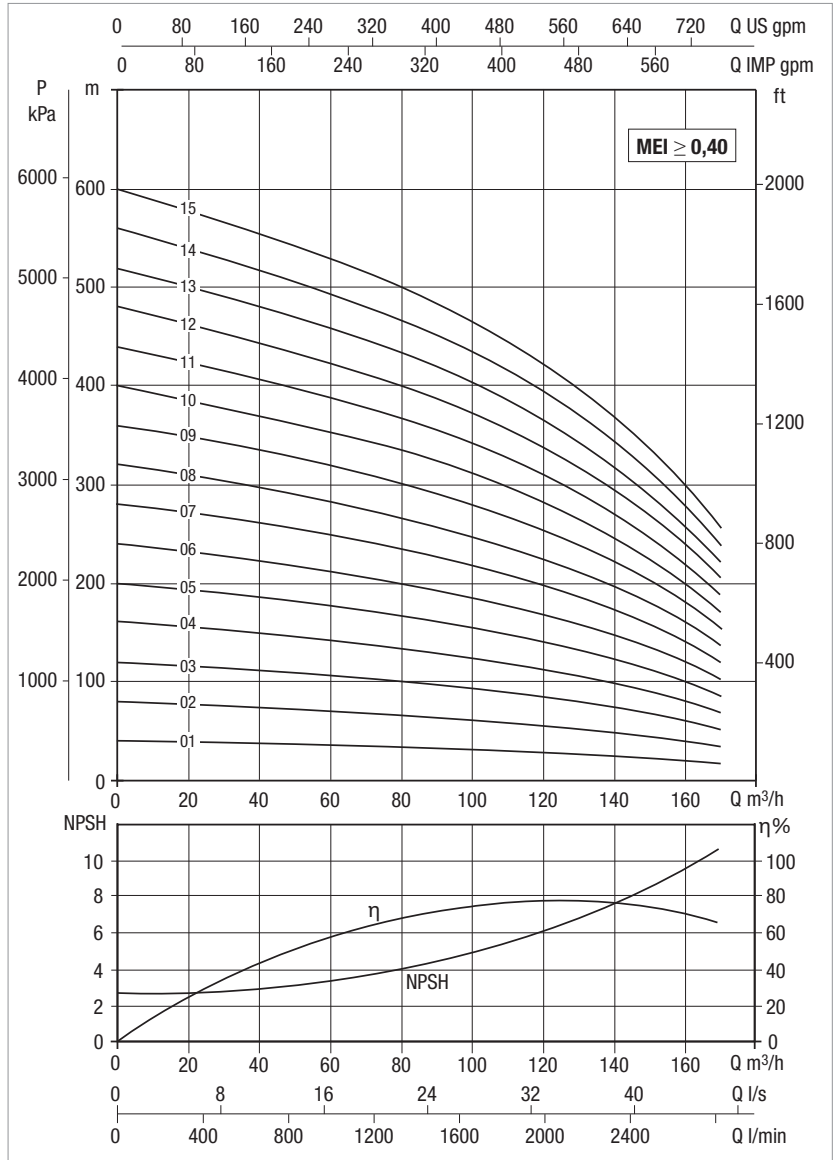
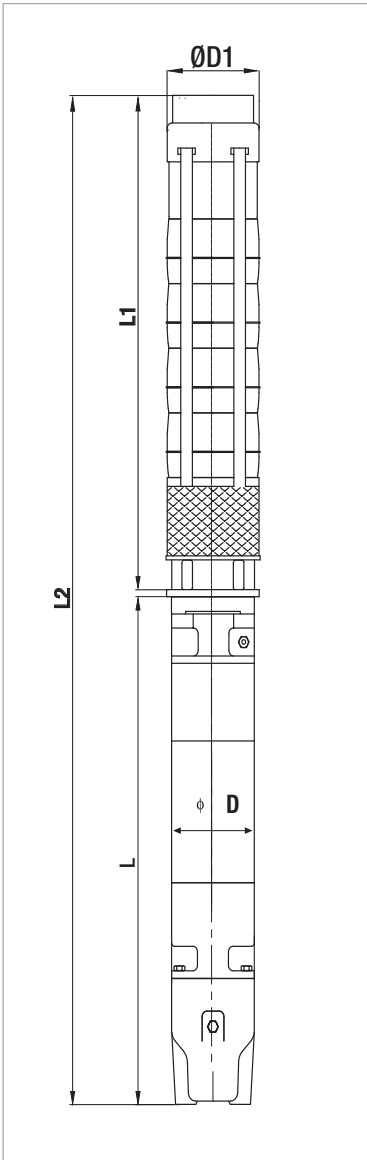
Motor TR: 6"-10" rewindable submersible motors.

●	Allowed
○	Only PE2 + PA version

# SS86A

## SUBMERSIBLE ELECTRIC PUMPS 8"

The performance curves are based on the kinematic viscosity values = 1 mm<sup>2</sup>/s and density equal to 1000 Kg/m<sup>3</sup>. Curve tolerance according to ISO 9906.



### PERFORMANCE 60 Hz - 2 POLES

MODEL	ELECTRICAL DATA		Q=m <sup>3</sup> /h Q=l/sec	HYDRAULIC DATA										STANDARD MOTOR COUPLING
	P2 NOMINAL			0	40	60	80	100	120	140	160	180	200	
	kW	HP		0	11,1	16,7	22,2	27,8	33,3	38,9	44,4	50	55,6	
SS86B 01	18,5	25	H (m)	47	45	43	41	39	37	35	32	28	22	6"
SS86B 02.B1	30	40		83	79	76	73	69	66	61	56	49	39	6"
SS86B 03.B1	45	60		130	123	119	114	108	103	96	88	76	61	8"
SS86B 03	55	75		141	134	129	124	118	112	104	95	83	66	8"
SS86B 04	75	100		188	179	172	165	157	149	139	127	111	88	8"
SS86B 05.B1	75	100		224	213	205	196	187	177	166	151	132	105	8"
SS86B 05	92	125		235	223	215	206	196	186	174	159	138	111	8"
SS86B 06	92	125		282	268	258	247	236	223	209	190	166	133	8"
SS86B 07	110	150		329	313	301	288	275	260	243	222	194	155	8"
SS86B 08	132	180		376	357	344	329	314	298	278	254	221	177	10"
SS86B 09.B2	132	180		400	381	366	351	334	317	296	270	236	188	10"
SS86B 09	147	200		423	402	387	371	353	335	313	286	249	199	10"
SS86B 10.B2	147	200		447	425	409	392	374	354	331	302	263	210	10"
SS86B 10	170	230		470	447	430	412	393	372	348	317	277	221	10"
SS86B 11	170	230	517	491	473	453	432	409	383	349	304	243	10"	

**ELECTRICAL DATA AND DIMENSIONS**

MODEL	MOTOR *	ELECTRICAL DATA			OPERATING BY INVERTER	HORIZONTAL INSTALLATION	L2 mm	L mm	L1 mm	D mm	D1 mm	TOTAL WEIGHT Kg
		P2 NOMINAL		In A								
		kW	HP									
SS86B 01	6GF	18,5	25	40	●	●	1546	860	686	141	213	99
SS86B 02.B1	6GF	30	40	62	●	●	1892	1050	842	141	213	125,8
SS86B 03.B1	TR860	45	60	88	○	●	2267	1270	997	192	213	222
SS86B 03	TR875	55	75	107	○	●	2347	1350	997	192	213	237
SS86B 04	TR8100	75	100	143	○	●	2743	1590	1153	192	213	289
SS86B 05.B1	TR8100	75	100	143	○	●	2899	1590	1309	192	213	295
SS86B 05	TR8125	92	125	175	○	●	3139	1830	1309	192	213	341
SS86B 06	TR8125	92	125	175	○	●	3295	1830	1465	192	213	348
SS86B 07	TR8150	110	150	210	○	○	3680	2060	1620	192	213	404
SS86B 08	TR10180	132	180	252	○	●	3646	1870	1776	232	213	513
SS86B 09.B2	TR10180	132	180	252	○	●	3802	1870	1932	232	213	519
SS86B 09	TR10200	147	200	290	○	●	4002	2070	1932	232	213	584
SS86B 10.B2	TR10200	147	200	290	○	●	4157	2070	2087	232	213	591
SS86B 10	TR10230	170	230	338	○	●	4307	2220	2087	232	213	631
SS86B 11	TR10230	170	230	338	○	●	4463	2220	2243	232	213	637

\* **Motor 6GF:** 6" canned submersible motors.

**Motor TR:** 6"-10" rewindable submersible motors.

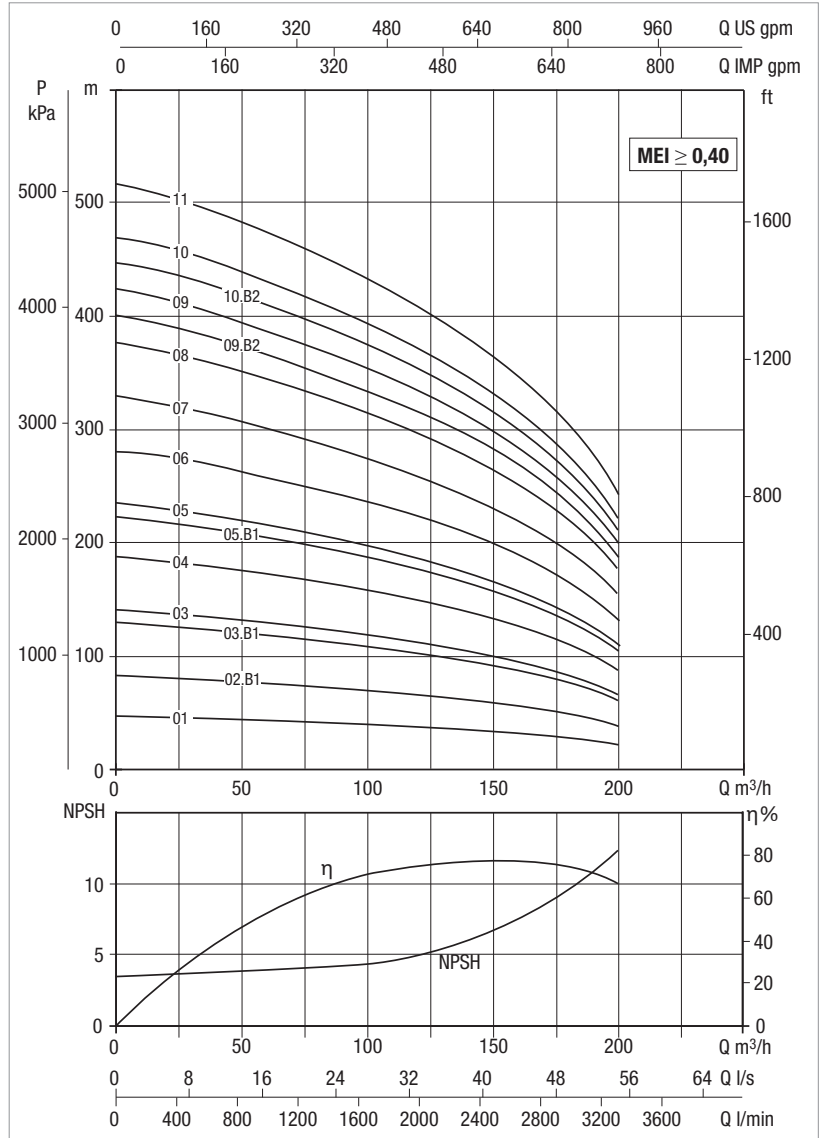
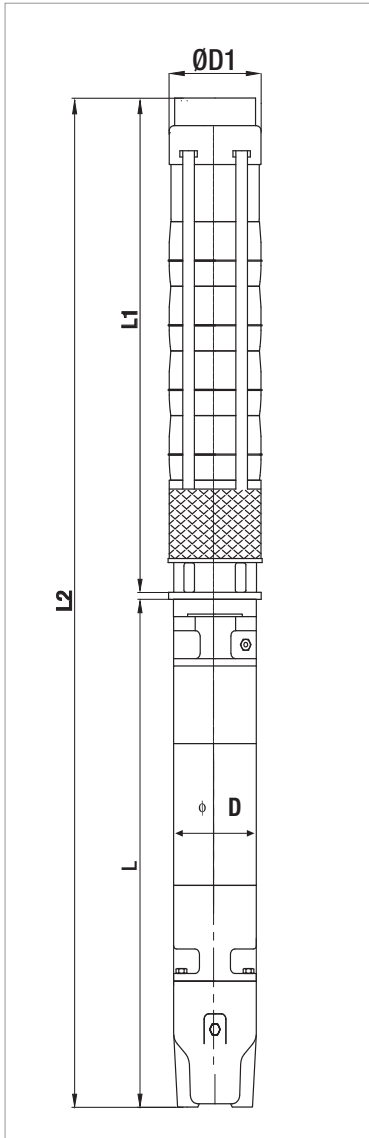
●	Allowed
○	Only PE2 + PA version



# SS86B

## SUBMERSIBLE ELECTRIC PUMPS 8"

The performance curves are based on the kinematic viscosity values = 1 mm<sup>2</sup>/s and density equal to 1000 Kg/m<sup>3</sup>. Curve tolerance according to ISO 9906.



**PERFORMANCE 60 Hz - 2 POLES**

MODEL	ELECTRICAL DATA		Q=m <sup>3</sup> /h Q=l/sec	HYDRAULIC DATA										STANDARD MOTOR COUPLING
	P2 NOMINAL			0	50	110	130	150	170	190	210	230	250	
	kW	HP		0	13,9	30,6	36,1	41,7	47,2	52,8	58,3	63,9	69,4	
SS86C 01	22	30	H (m)	43	41	35	33	32	30	27	24	21	16	6"
SS86C 02	37	50		86	82	70	66	63	59	55	49	41	32	6"
SS86C 03	55	75		130	123	105	100	95	89	82	73	62	48	6"
SS86C 04	75	100		173	163	140	133	126	119	110	98	83	64	8"
SS86C 05	92	125		216	204	175	166	158	149	137	122	103	80	8"
SS86C 06	110	150		259	245	210	199	189	178	164	147	124	96	8"
SS86C 07	132	180		302	286	245	233	221	208	192	171	144	113	8"
SS86C 08	147	200		346	327	280	266	252	238	219	196	165	129	8"
SS86C 09	170	230		389	368	315	299	284	267	247	220	186	145	8"

### ELECTRICAL DATA AND DIMENSIONS

MODEL	MOTOR *	ELECTRICAL DATA			OPERATING BY INVERTER	HORIZONTAL INSTALLATION	L2 mm	L mm	L1 mm	D mm	D1 mm	TOTAL WEIGHT Kg
		P2 NOMINAL		In A								
		kW	HP									
SS86C 01	6GF	22	30	49,8	●	●	1606	920	686	141	226	104,6
SS86C 02	6GF	37	50	77	●	●	2022	1180	842	141	226	138,8
SS86C 03	TR875	55	75	107	○	●	2487	1490	997	192	226	239
SS86C 04	TR8100	75	100	143	○	●	2743	1590	1153	192	226	290
SS86C 05	TR8125	92	125	175	○	●	3139	1830	1309	192	226	343
SS86C 06	TR8150	110	150	210	○	○	3525	2060	1465	192	226	399
SS86C 07	TR10180	132	180	252	○	●	3490	1870	1620	232	226	508
SS86C 08	TR10200	147	200	290	○	●	3846	2070	1776	232	226	579
SS86C 09	TR10230	170	230	338	○	●	4152	2220	1932	232	226	626

\* **Motor 6GF:** 6" canned submersible motors.

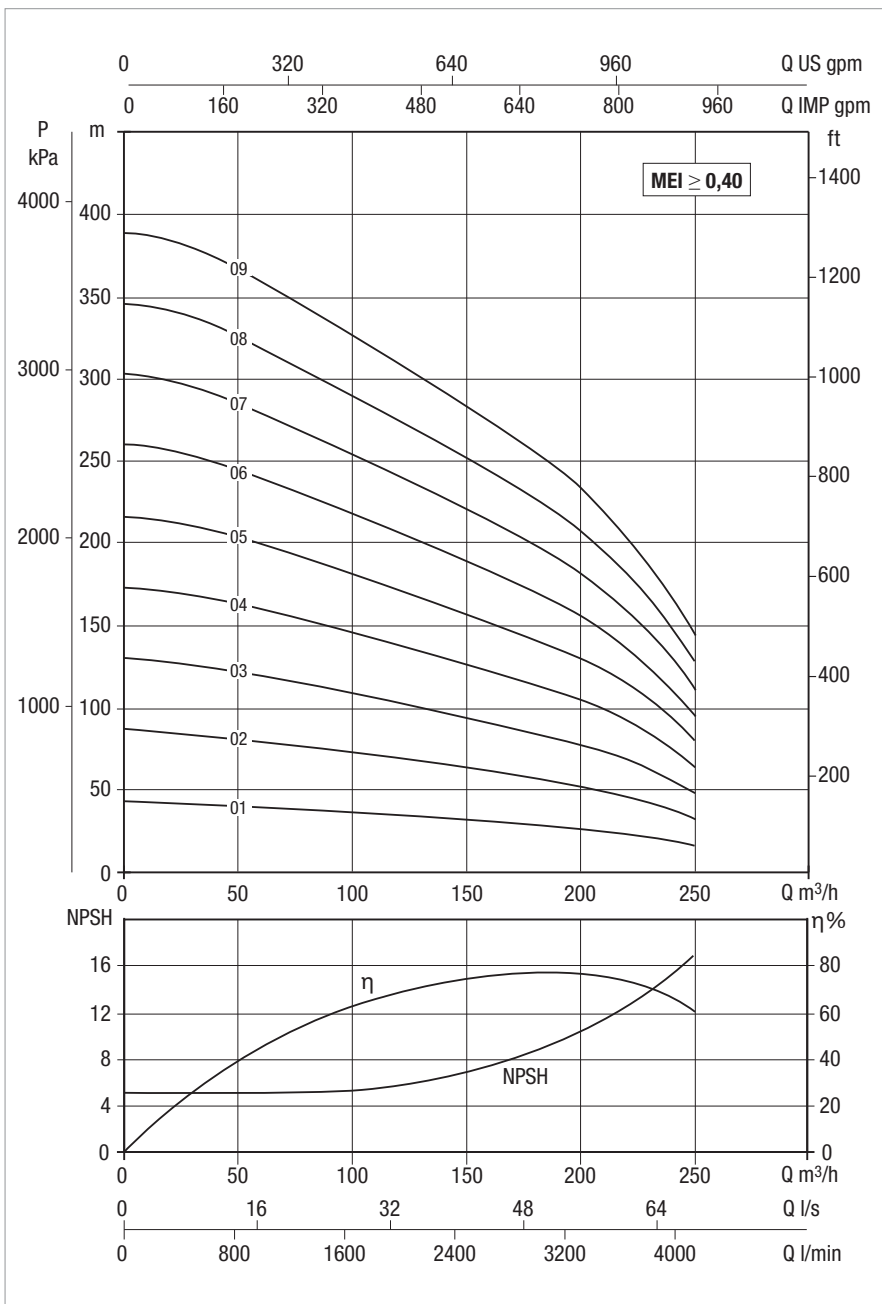
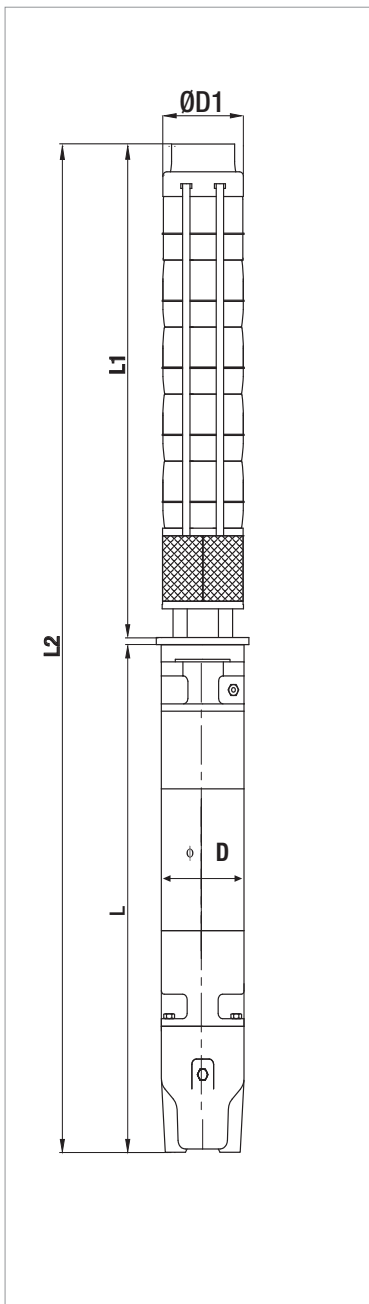
**Motor TR:** 6"-10" rewindable submersible motors.

●	Allowed
○	Only PE2 + PA version

# SS86C

## SUBMERSIBLE ELECTRIC PUMPS 8"

The performance curves are based on the kinematic viscosity values = 1 mm<sup>2</sup>/s and density equal to 1000 Kg/m<sup>3</sup>. Curve tolerance according to ISO 9906.





### TECHNICAL DATA

**Performance range:** : flow up to 110 m<sup>3</sup>/h and max head of 423 m

**Max. quantity of sand/silt:** 50 g/m<sup>3</sup>

**TMax. ambient temperature:** 30°C (50°C available on request)

**Outlet connection diameter (inside threaded):** 5"

**Nr of starts:** refer to the motor specification

**Motor Cooling flow:** refer to the motor specification

**Installation:** horizontal or vertical, refer to the motor specification

### APPLICATIONS

Multistage mixed-flow borehole electric pumps, completely made in stainless steel (AISI 304L or AISI 316 on request), usable for wells from a minimum diameter equal to pump size or greater and capable of developing a wide range of Flows and Heads.

These pumps can be used in a wide range of lifting, distributing, and pressuring application: domestic and general water supply; sprinkler and drip irrigations systems; fire-fighting installations; lowering of groundwater level; industrial supplies as mining, hot springs, autoclaves and tanks.

These pumps are suitable both for standard water and for aggressive water applications by choosing the proper manufacturing material (AISI 304L or AISI 316) both for hydraulic part and motor.

Special version of motors with PE2+PA windings can be used on request for high-temperature water applications up to maximum 50°C.

Pumps can be installed both vertically and horizontally simply by removing the non-return valve and adding a cooling sleeve to the suction case (the only remark is to check the motor applicability to horizontal operations, refer to the motor specifications section).

### CONSTRUCTION FEATURES OF PUMP

Mixed flow pumps with diffusers, impellers, brackets, suction case and discharge case completely made of stainless steel AISI 304 in order to provide maximum strength, durability, wear and tear resistance.

The impellers are balanced and locked to the shaft with a specially shaped collet and nut coupling, in order to guarantee ease-to-assembly feature and avoid vibration sensitive malfunctions and noise increase during rotation.

Rubber bearings that drive the shaft are water lubricated and have sand channels to make enable the sand particles leave the pump with the pumped liquid (maximum permissible sand content 50 gr/m<sup>3</sup>).

Built-in non returned valve provided in order to minimize local friction losses.

Stainless steel strainer provided in order to prevent particles over a certain size from entering the pump.

Coupling with 6", 8" or 10" motor depending on the power requested by hydraulic part:

- 6GF: 6" canned submersible motor
- TR6: 6" rewindable submersible motor
- TR8: 8" rewindable submersible motor
- TR10: 10" rewindable submersible motor

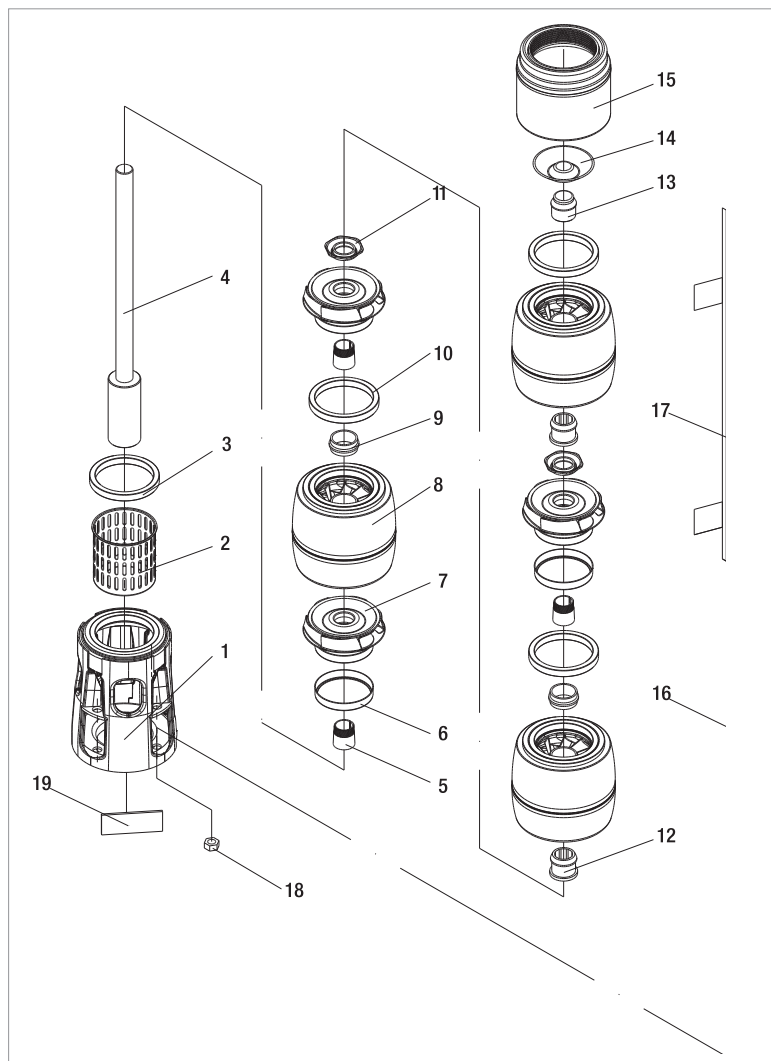
For inverter application refer to the detailed motor specification.

### ON REQUEST:

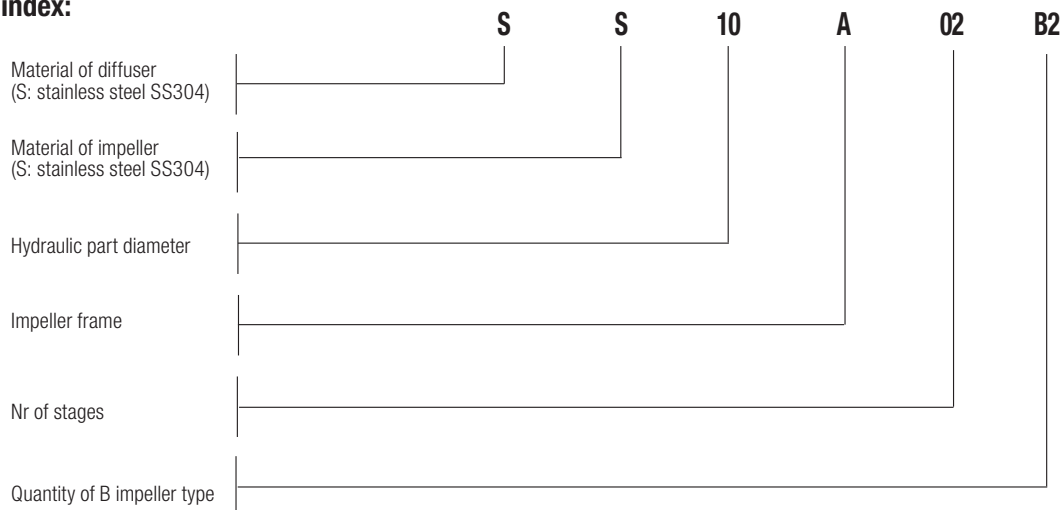
- Pump body stainless steel AISI 316 for aggressive water application
- Impellers stainless steel AISI 316
- Motors in full stainless steel AISI 316 for aggressive water application
- Star/Delta starting version
- Special version of the motor for high temperature application
- Non-standard power coupling

### MATERIALS

N°	Part Name	Material
1	Suction Case	Stainless Steel (AISI 304L)
2	Filter	Stainless Steel (AISI 304L)
3	Suction Case Wear Ring	Bronze (ASTM B145-4A)
4	Pump Shaft	Stainless Steel (AISI 420)
5	Collet	Stainless Steel
6	Impeller Wear Ring	STAINLESS STEEL (AISI 304)
7	Impeller	Stainless Steel (AISI 304L)
8	Diffuser	Stainless Steel (AISI 304L)
9	Rubber Bearing	Rubber
10	Diffuser Wear Ring	Rubber
11	Nut for Stop Ring	Stainless Steel (AISI 304L)
12	Bearing	Rubber
13	Shaft Stopper	Bronze (ASTM B145-4A)
14	Valve	Stainless Steel (AISI 304)
15	Discharge Case	Stainless Steel (AISI 304)
16	TIE ROD	STAINLESS STEEL (AISI 304L)
17	CABLE GUARD	STAINLESS STEEL (AISI 304)
18	TIR ROD NUT	STAINLESS STEEL (AISI 303)
19	NAME PLATE	STAINLESS STEEL (AISI 304)



**- Denomination index:**  
(EXAMPLE)



# SS106A

## SUBMERSIBLE ELECTRIC PUMPS 10"

### PERFORMANCE 60 Hz - 2 POLES

MODEL	ELECTRICAL DATA		HYDRAULIC DATA										STANDARD MOTOR COUPLING	
	P2 NOMINAL		Q=m <sup>3</sup> /h	0	100	180	220	240	260	280	300	320		360
	kW	HP	Q=l/sec	0	27,8	50,0	61,1	66,7	72,2	77,8	83,3	88,9		100
SS106A 01	30	40	H (m)	56	49	41	38	36	34	32	30	27	19	6"
SS106A 02	63	85		112	99	83	76	72	69	65	60	54	39	6"
SS106A 03	92	125		167	148	124	114	108	103	97	89	80	58	8"
SS106A 04	110	150		223	198	166	151	145	137	129	119	107	78	8"
SS106A 05	147	200		279	247	207	189	181	172	161	149	134	97	8"
SS106A 06	170	230		335	297	249	227	217	206	194	179	161	117	8"

# SS106A

## SUBMERSIBLE ELECTRIC PUMPS 10"

### ELECTRICAL DATA AND DIMENSIONS

MODEL	MOTOR *	ELECTRICAL DATA			OPERATING BY INVERTER	HORIZONTAL INSTALLATION	L2 mm	L mm	L1 mm	D mm	D1 mm	TOTAL WEIGHT Kg
		P2 NOMINAL		In A								
		kW	HP									
SS106A 01	6GF	30	40	62	●	●	1844	1050	794	141	247	130,8
SS106A 02	TR885	63	85	120	○	●	2460	1490	970	192	247	273
SS106A 03	TR8125	92	125	175	○	●	2977	1830	1147	192	247	349
SS106A 04	TR8150	110	150	210	○	○	3383	2060	1323	192	247	409
SS106A 05	TR10200	147	200	290	○	●	3569	2070	1499	232	247	587
SS106A 06	TR10230	170	230	338	○	●	3895	2220	1675	232	247	638

\* **Motor 6GF:** 6" canned submersible motors.

**Motor TR:** 6"-10" rewindable submersible motors.

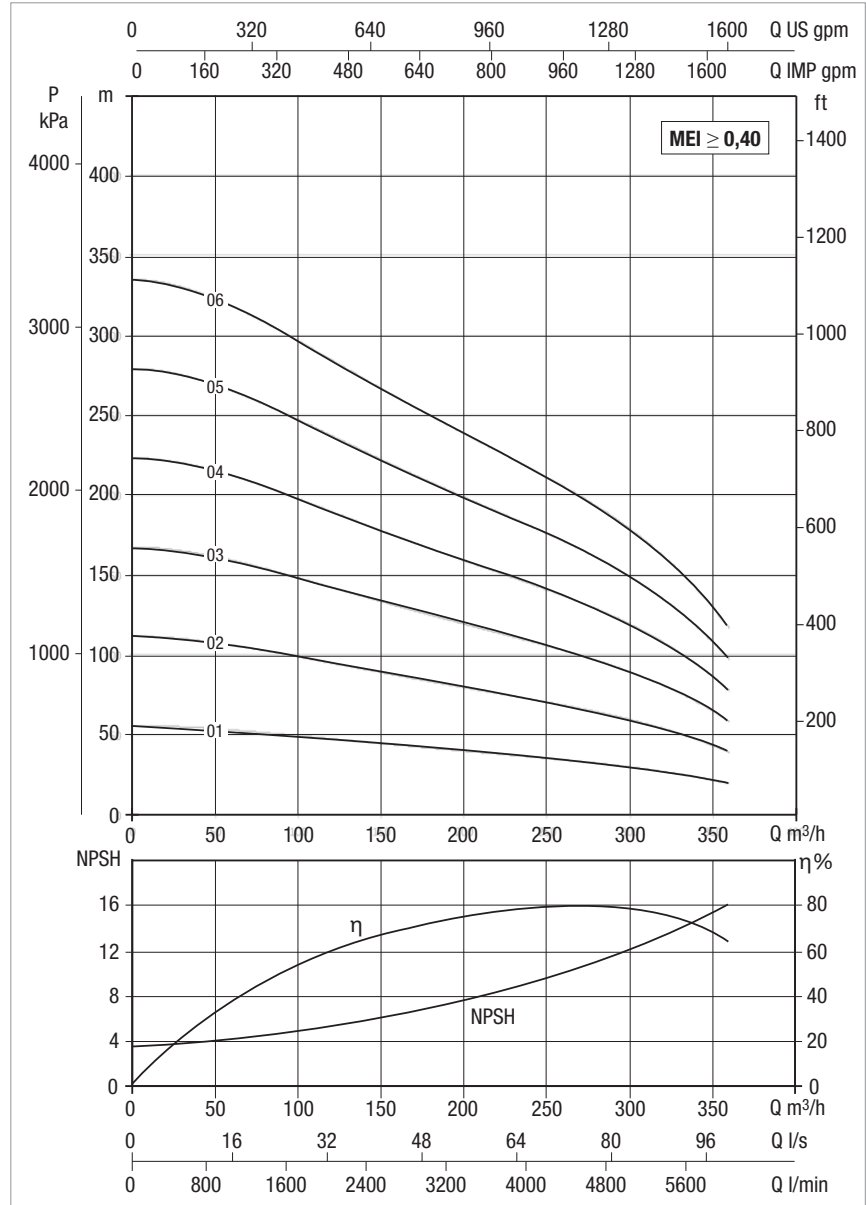
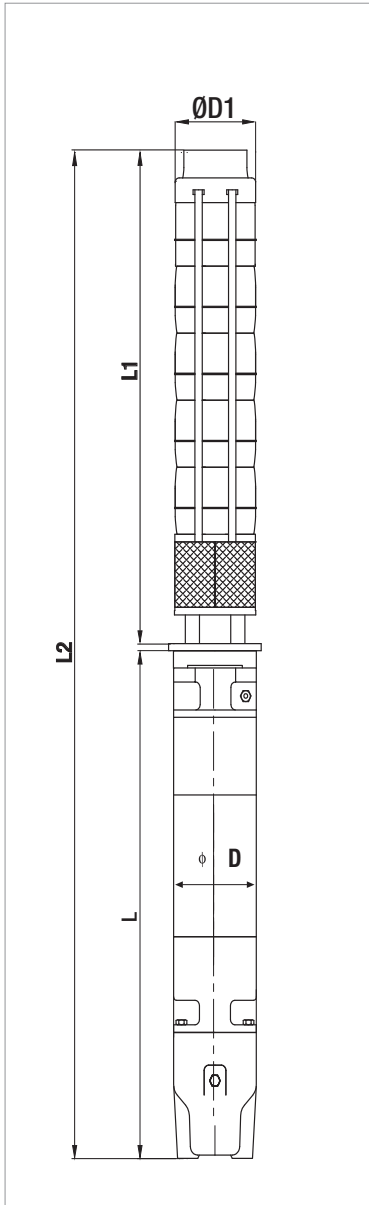
●	Allowed
○	Only PE2 + PA version



# SS10A

## SUBMERSIBLE ELECTRIC PUMPS 10"

The performance curves are based on the kinematic viscosity values = 1 mm<sup>2</sup>/s and density equal to 1000 Kg/m<sup>3</sup>. Curve tolerance according to ISO 9906.



# DNA<sup>®</sup>

## PUMPS SELECTOR



# On-line selection tool



**DAB PUMPS LTD.**

Unit 4 and 5, Stortford Hall Industrial Park,  
Dunmow Road,  
Bishops Stortford,  
Herts  
CM23 5GZ - UK  
salesuk@dwgroup.com  
Tel. +44 1279 652 776  
Fax +44 1279 657 727



**DAB PUMPS B.V.**

Brusselstraat 150  
B-1702 Groot-Bijgaarden - Belgium  
info.belgium@dwgroup.com  
Tel. +32 2 4668353  
Fax +32 2 4669218



**DAB PUMPS B.V.**

Albert Einsteinweg, 4  
5151 DL Drunen - Nederland  
info.netherlands@dwgroup.com  
Tel. +31 416 387280  
Fax +31 416 387299



**DAB PUMPEN DEUTSCHLAND GmbH**

Tackweg 11  
D - 47918 Tönisvorst - Germany  
info.germany@dwgroup.com  
Tel. +49 2151 82136-0  
Fax +49 2151 82136-36



**DAB PUMPS IBERICA S.L.**

Avenida de Castilla nr.1 Local 14  
28830 - San Fernando De Henares - Madrid  
Spain  
info.spain@dwgroup.com  
Tel. +34 91 6569545  
Fax: +34 91 6569676



**DAB PRODUCTION HUNGARY KFT.**

H-8800  
Nagykanizsa, Buda Ernő u.5  
Hungary  
Tel. +36 93501700



**DAB PUMPS POLAND Sp. z o.o.**

Mokotow Marynarska  
ul. Postępu 15C  
02-676 Warszawa - Poland  
Tel. +48 223 81 6085



**DAB UKRAINE Representative Office**

Regus Horizon Park  
4 M. Hrinchenka St, suit 147  
03680 Kiev - Ukraine  
Tel. +38 044 391 59 43



**OOO DWT GROUP**

Novgorodskaya str, 1, bld G, office 308  
127576 Moscow - Russia  
info.russia@dwgroup.com  
Tel. +7 495 122 00 35  
Fax +7 495 122 00 36



**DAB PUMPS INC.**

3226 Benchmark Drive  
Ladson, SC 29456 - USA  
info.usa@dwgroup.com  
Tel. 1-843-824-6332  
Toll Free 1-866-896-4DAB (4322)  
Fax 1-843-797-3366



**DWT SOUTH AFRICA**

Podium at Menlyn,  
3rd Floor, Unit 3001b, 43 Ingersol Road,  
C/O Lois and Atterbury street,  
Menlyn, Pretoria, 0181 - South-Africa  
info.sa@dwgroup.com  
Tel. +27 12 361 3997  
Fax +27 12 361 3137



**DAB PUMPS CHINA**

No.40 Kaituo Road, Qingdao Economic & Technological  
Development Zone  
Qingdao City, Shandong Province - China  
PC: 266500  
info.china@dwgroup.com  
Tel. +8653286812030-6270  
Fax +8653286812210



**DAB PUMPS DE MÉXICO, S.A. DE C.V.**

Av Gral Álvaro Obregón 270, oficina 355  
Hipódromo, Cuauhtémoc 06100  
México, D.F.  
Tel. +52 55 6719 0493